



### Quick heating and even cooking

The Series 20 FanCook Oven circulates hot air heat with its fan and ring element. Air is continuously moved around in the oven cavity, to make sure that dishes can be cooked on different level at the same time

## Product Benefits & Features

### Evenly cooked results, on any level

Get perfectly even oven results with Multilevel cooking. An additional heating ring promises even cooking across all three levels. Which is great for cooking more favourite dishes at the same time.

- Economy variable grill
- Top heat
- Bottom heat
- Fan controlled defrosting
- Oven features:
  - Pizza cooking
  - Clean 'n' clear enamel interior
  - 2 oven shelves
  - Fan cooled double glazed door with heat reflective glass
  - 'A' energy class

### Sparkling results, with Aqua Clean

An additional cleaning tool is included inside the oven, called AquaClean. By adding water to the base, a humid environment is created with the oven's heat. So crumbs and splatters are easier to remove with damp cloth.

### Convection oven, for Even Cooking

The hot air generated inside the oven during cooking is moved around with a fan, so all your dishes receive the same amount of heat. This lets the oven heat up faster, which means you'll get the same results using 20% lower temperatures, saving time and using less energy.

### Time taken care of, with LED display

Set exact cooking times and keep track of all your dishes with the LED display. Juggling a few different dishes at once has never been easier.

### Oven light, for a better view

A powerful, well-placed oven light lets you see what's going on inside the oven while your food is cooking. So you can monitor your dish's progress, without having to open the door.

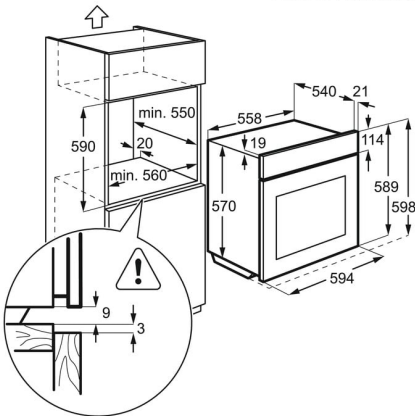
**Product Specification**

Plug	No
Self-Cleaning?	Aqua Clean Enamel
Cavity coating	Clean Enamel
Dimensions (mm) (HxWxD)	590x594x560
Dimensions (Built-in, mm)	593x560x550
Total electricity loading, W	2090
Voltage (V)	230
Required Fuse	13
Frequency (Hz)	50
Temperature range	50°C - 250°C
Cavity Size (L)	58
Largest Surface area	1130
Colour	Stainless steel with antifingerprint
Noise	49
Energy class	A
Energy consumption, conventional mode, kWh per cycle	0.89
Energy consumption per EU standard cycle	0
Energy consumption, hot air, kWh/cycle	0.75
ProdPartCode	All Open

Top Oven Cooking Functions

Bottom, Fan, Grill, Grill + fan, Light, Ring + fan, Top + bottom, Top + bottom + fan

PSGBOV140D002002



PSGBOV140D002003

