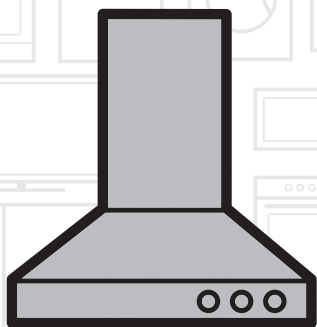


# Hood

## User manual



HNT61220XH

EN |

01M-8898963200-4820-02

**beko**

# CONTENTS

---

## **1 Important safety and environmental instructions 4-7**

---

- 1.1 Safety instructions ..... 4
- 1.2 Compliance with WEEE regulation and disposal of waste product ..... 6
- 1.3 Compliance with RoHS Directive . 7
- 1.4 Packaging of the product ..... 7

## **2 General View 8**

---

- 2.1 Overview ..... 8
- 2.2 Technical data..... 8

## **3 Operation of the Appliance 9-10**

---

- 3.1 Controlling the Appliance..... 9
- 3.2 Energy Efficient Operation in Terms of Saving Use ..... 9
- 3.3 Operating Instructions ..... 9
- 3.4 Replacement of Lamp.....10
- 3.5 Operation with Flue Connection 10
- 3.6 Operation without Flue Connection.....10

## **4 Cleaning and Maintenance 11**

---

- 4.1 Cleaning of Aluminum Filters.... 11
- 4.2 Replacing Carbon Filters ..... 11

## **5 Installation Of Appliance 12-13**

---

- 5.1 Position of the Appliance..... 12
- 5.2 Installation Accessories ..... 12
- 5.3 Installation of the Hood ..... 12
- 5.4 Connecting to Flue ..... 13

## **6 Troubleshooting 14**

---

## Please read this user manual first!





Dear Valued Customer,

Thank you for preferring this Beko appliance. We hope that you get the best results from your appliance which has been manufactured with high quality and state-of-the-art technology. For this reason, please read this entire user manual and all other accompanying documents carefully before using the appliance and keep it as a reference for future use. If you handover the appliance to someone else, give the user manual as well. Follow the instructions by paying attention to all the information and warnings in the user manual.

Remember that this user manual may also apply to other models. Differences between models are explicitly described in the manual.

## Meanings of the Symbols

Following symbols are used in various sections of this user manual:

	Important information and useful hints about usage.
	<b>WARNING:</b> Warnings against dangerous situations concerning the security of life and property.
	Warning for danger of fire.
	Warning for electric shock.



This appliance has been manufactured in environmentally friendly modern plants without giving any harm to the nature.

Complies with the WEEE regulation.



It does not contain PCB.

## 1.1 General Safety

**Important Safety Instructions Read Carefully And Keep For Future Reference** This section contains safety instructions that will help protect from risk of fire, electric shock, exposure to leak microwave energy, personal injury or property damage. Failure to follow these instructions shall void any warranty.

- Beko products comply with the applicable safety standards; therefore, in case of any damage on the appliance or power cable, it should be repaired or replaced by the dealer, service center or a specialist and authorized service alike to avoid any danger. Faulty or unqualified repair work may be dangerous and cause risk to the user.
- This appliance is intended to be used in household and similar applications such as:
  - Staff kitchen areas in shops, offices and other working environments;
  - Farm houses
  - By clients in hotels, and other residential type environments;
  - Bed and Breakfast type environments.
- Operate the appliance for its intended purpose only as described in this manual.
- The manufacturer cannot be held liable for damages resulting from improper installation or misuse of the product.
- This appliance can be used by children aged from 8 years and above and persons with reduced physical, sensory or mental capabilities or lack of experience and knowledge if they have been given supervision or instruction concerning use of the appliance in a safe way and understand the hazards involved.
- Children shall not be allowed play with the appliance. Cleaning and user maintenance shall not be made by children without supervision.
- The minimum distance between the supporting surface for the cooking vessels on the hob and the lowest part of your product must be at least 50 cm for electric hobs and 65 cm for gas hobs.
- If the instructions for installation for the gas hob specify a greater distance, this has to be taken into account.
- Make sure that your mains power

supply complies with the information supplied on the rating plate of the appliance.

- Never use the appliance if the power cable or the appliance itself is damaged.
- Prevent damage to the power cable by not squeezing, bending, or rubbing it on sharp edges. Keep the power cable away from hot surfaces and naked flame.
- Use the appliance with a grounded outlet only.

**WARNING:** Do not connect the appliance to the mains until the installation is fully complete.

- Place the appliance in a way so that the plug is always accessible.
- Do not touch the lamps if they have operated for a long time. They can burn your hands since they will be hot.
- Follow the regulations set out by competent authorities on discharge of the exhaust air (this warning is not applicable for use without chimney).
- Operate your appliance after putting a pot, pan etc. on the hob. Otherwise, high heat may cause deformation in some parts of your product.

- Turn off the hob before taking the pot, pan etc. from it.
- Do not leave hot oil on the hob. Pans with hot oil may cause self combustion.
- Pay attention to your curtains and covers since oil may catch fire while cooking food such as fries.
- Grease filter must be replaced at least monthly. Carbon filter must be replaced at least every 3 months.
- Product shall be cleaned accordance with user manual. If cleaning was not carried out in accordance with user manual, there may be fire risk.
- Do not use non-fire-resistant filtering materials instead of the current filter.
- Only use the original parts or parts recommended by the manufacturer.
- Do not operate the product without the filter and do not remove the filters while the product is running.
- In the event of be started any flame, de-energize your product and cooking appliances.
- In the event of be started any flame, cover the flame and never

use water to extinguish.

- Unplug the appliance before each cleaning and when the appliance is not in use.
- The negative pressure in the environment should not exceed 4 Pa (4 x 10 bar) while the hood for electric hob and appliances running on another type of energy but electricity operate simultaneously.
- In the environment where the appliance is being used, the exhaust of devices running on fuel oil or gas, such as room heater must be absolutely isolated or device must be hermetical type.
- When connecting the chimney, use pipes with a diameter of 120 or 150 mm. Pipe connection must be as short as possible and have as few elbows as possible.

**Danger of choking!** Keep all the packaging materials away from children.

**CAUTION:** Accessible parts may become hot when used with cooking appliances.

- The product outlet must not be connected to air channels that include other smoke.
- The ventilation in the room may be insufficient when the hood for

electric hob is used simultaneously with the devices operating on gas or other fuels (this may not apply to appliances that only discharge the air back into the room).

- Objects placed on the product may fall. Do not place any objects on the product.
- Do not flambe under the your product.

**WARNING:** Before installing the Hood, remove the protective films.

- Never leave high naked flames under the hood when it is in operation
- Deep fat fryers must be continuously monitored during use: overheated oil can burst into flames.

### 1.2 Compliance with the WEEE Directive and Disposing of the Waste Product:

This product complies with EU WEEE Directive (2012/19/EU). This product bears a classification

symbol for waste electrical and electronic equipment (WEEE).



This symbol indicates that this product shall not be disposed with other household wastes at the end of its service life. Used device must be returned to official collection point for recycling of electrical and electronic

devices. To find these collection systems please contact to your local authorities or retailer where the product was purchased. Each household performs important role in recovering and recycling of old appliance. Appropriate disposal of used appliance helps prevent potential negative consequences for the environment and human health.

### 1.3 Compliance with RoHS Directive

The product you have purchased complies with EU RoHS Directive (2011/65/EU). It does not contain harmful and prohibited materials specified in the Directive.

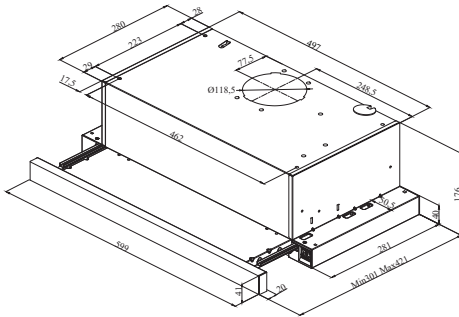
### 1.4 Package Information



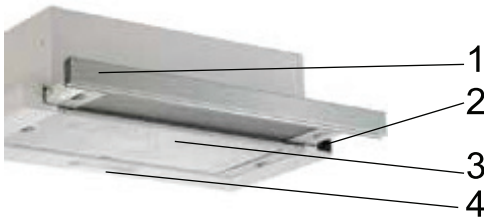
Packaging materials of the product are manufactured from recyclable materials in accordance with our National Environment Regulations. Do not dispose of the packaging materials together with the domestic or other wastes. Take them to the packaging material collection points designated by the local authorities.

## 2 General Appearance

### 2.1 Overview



(Figure 1).



1. Front Panel
2. Switch
3. Aluminum Grease Filter
4. LED Lighting

(Figure 2)

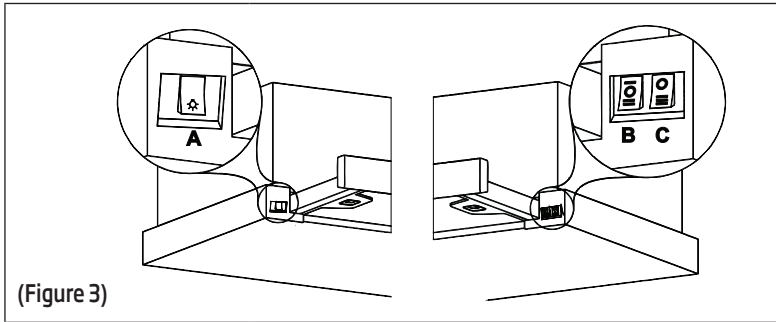
### 2.2 Technical Data

Model	HNT 61220 XH
Supply voltage	220-240V ~ 50 Hz
Lamp Power (W)	2 x 3
Motor Power (W)	125
Flow rate (m <sup>3</sup> /h) - 3. Level	291
Insulation Class of Motor	Class F
Insulation Class	Class I



# 3 Operation of the Appliance

## 3.1 Controlling the Appliance



(Figure 3)

KEY	FUNCTION
<b>(A) : Light On / Off</b>	Pull the sliding plate to the front. Press the button downwards to turn on the lamp or upwards to turn off the lamp.
<b>(B) : 1 and 2 Speed Button</b>	Pull the sliding plate to the front. Press the button upwards to operate the hood at speed level 1, and downwards to operate the hood at speed level 2.
<b>(C) : 3rd Speed Button</b>	Pull the sliding plate to the front. Press the button downwards to operate the hood at speed level 3.

## 3.2 Energy Efficient Operation in Terms of Saving Use

- When using your appliance, adjust the speed settings according to vapour and odour intensity, in order to save energy.
- Use low speeds (1-2) under normal conditions, and high speeds (3) in intense odour and vapour.
- The lamps on the hood are placed for illuminating the cooking area.


Using them for environmental lighting shall cause unnecessary energy expenditure and insufficient lighting.

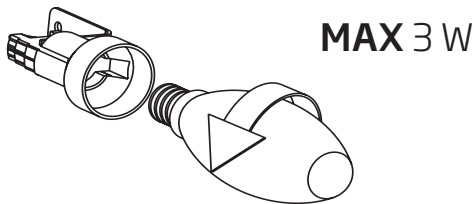
## 3.3 Operating Instructions

- Your appliance contains a motor that has various speeds.
- For better performance, we recommend using low speeds under normal conditions and high speeds in cases of strong odours and intense vapour.
- You can start your appliance by pressing on the desired speed setting button. (B,C)
- You can illuminate the cooking area by pressing the lamp.

# 3 Operation of the Appliance

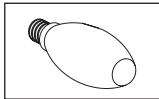
## 3.4 Replacement of Lamp

 **CAUTION**  
Disconnect the electrical supply of the hood. Leave the lamps to cool down first because they could burn your hands when they are hot.

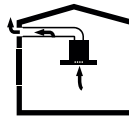


(Figure 4)

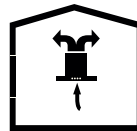
- Remove the aluminium cartridge filter. Remove the defective bulb and replace with a new one with the same rating (Figure 4).

<b>Bulb</b>	
<b>Bulb Power (W)</b>	3
<b>Holder / Socket</b>	E 14
<b>Bulb Voltage (V)</b>	220 - 240
<b>Size (mm)</b>	35 x 100
<b>ILCOS Code</b>	DRBB/F-3-220-240-E14-35/100

## 3.5 Operation with Flue Connection



- Vapour is extracted through the flue duct, which is fastened to the connection head on the hood.
- The diameter of the flue duct must be the same as the connection ring. In horizontal settings, the pipe has to have a slight upward slope (around 10°) so that the air can exit the room easily.



## 3.6 Operation without Flue Connection

- Air is filtered through the carbon filter and recirculated in the room. Carbon filter is used when it is impossible to use a flue in the house.
- In flueless use, remove the flaps inside the flue adapter.
- Remove the Grease Filter . To install the carbon filter, fit the filter to the tabs by centring it on the plastic piece on both sides of the fan body. tighten it by turning right or left.
- Replace aluminium Grease Filter .

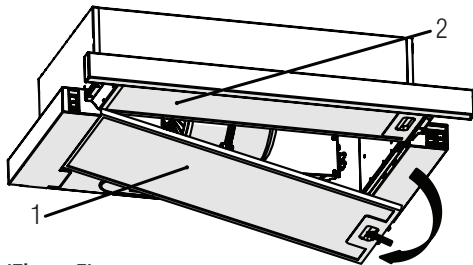
## 4 Cleaning and Maintenance



Before cleaning and maintenance, unplug the product or turn off the switch.

### 4.1 Cleaning of Aluminium Grease Filter

Aluminium grease filter is used to retain the oil particles in the air. Aluminium grease filter may change colour as it is washed; this is normal and does not require replacing your filter.



(Figure 5)

1- External Aluminium Grease Filter

2- Internal Aluminium Grease Filter

- Pull the sliding plate out by holding the front panel. Remove the external aluminium Grease Filter first, and then the internal aluminium Grease Filter.
- Push the Aluminium grease filter lock forward.
- Then lower it slightly down and pull it out (Figure 5). Otherwise, you can bend the filter. Wash and rinse Aluminium grease filter with liquid detergent and replace Aluminium grease filter to their sockets by carrying out the steps specified above in reverse order. This filter retain the oil particles in the air.



You may wash your Aluminium Grease Filter in the dishwasher.

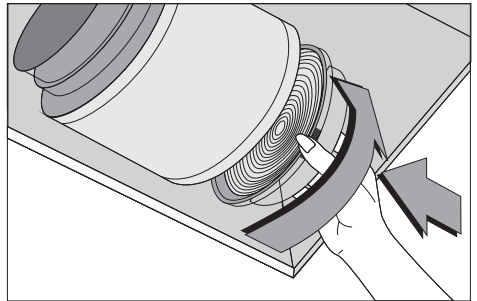


#### CAUTION

In case of normal use, clean your aluminium Grease Filter once in a month.

### 4.2 Replacement of Carbon Filters

Odour removing filters contain charcoal (Active carbon). Aluminium grease filter must be installed in the product, regardless of whether or not carbon filters are used.



(Figure 6)

- Remove Aluminium grease filter (Figure 5).
- To remove the charcoal filter, remove the charcoal filter from its housing by rotating it counter-clockwise from the tab (Figure 6).
- Install the new charcoal filter.
- Install the aluminium Grease Filter.



#### CAUTION

Carbon filter shall never be washed.



#### CAUTION

Replace carbon filters once every 3 months.



#### CAUTION

You can obtain the carbon filter from the authorized services.

# 5 Installation Of Appliance



## WARNING!

Before starting the installation, read the safety information on User Manual.

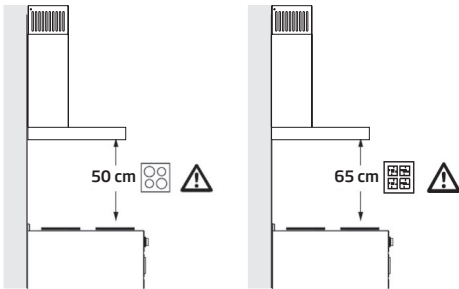


## WARNING!

Failure to install with screws and stabilizers in accordance with these instructions may result in electric shock.

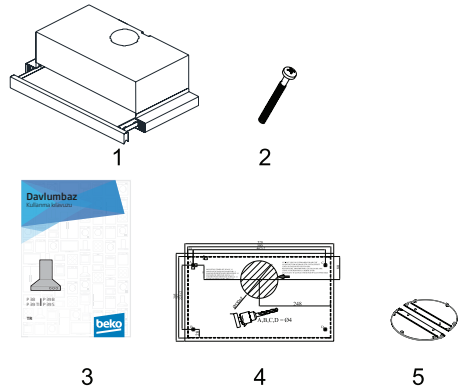
For the installation of the hood, please contact the nearest Beko Authorized Service. It is the customer's responsibility to prepare the location and electrical installation of the hood.

## 5.1 Position of the Appliance



(Figure 7)

- Distance between the cooker and the cooker hood must be considered prior to assembly. This distance should be 50 cm for electric hobs and 65 cm for gas hobs. (Figure 7).
- Distance must be measured from the surface of grate for gas cookers,
- from surface of glass for electric cookers.



## 5.2 Installation Accessories

1. Hood
2. 4x 4 x 40 Screws
3. Operating Manual and Other Documents
4. Mounting Template
5. Ø120mm Plastic Flue Flap

The information required to make the location suitable for the installation of the hood is given below.

## 5.3 Installation of the Hood



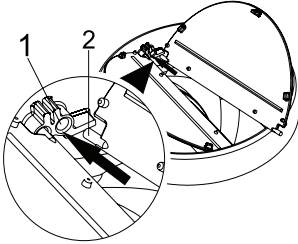
## CAUTION

Use protective gloves and goggles for drilling and cutting operations.

- Paste the installing template provided with the hood on the surface where the hood is to be mounted.
- Make holes with Ø4 mm diameter on the points marked as A, B, C, D on the installation template.
- Drill the flue outlet hole specified in the installing template in the sizes given.

## 5 Installation Of Appliance

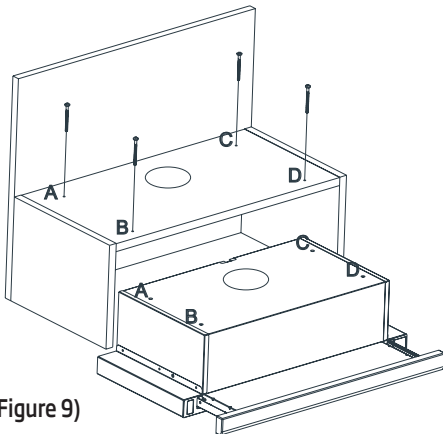
Remove the appliance from its packaging. Install the plastic flue flaps provided in the accessories to the air outlet flue of the appliance as shown below.



(Figure 8)

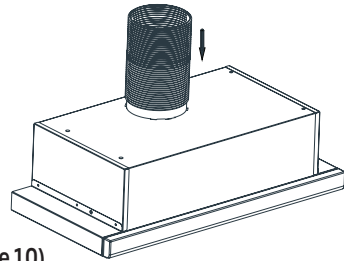
1. Flap Pin Socket
2. Flap Pin

- Insert the plastic pin (Figure 8 / area no. 2) on the pin socket on the motor exhaust (Figure 8 / area no.1). Then bend the flap lightly to insert the other pin on the flap and insert the other pin to its socket (Figure 8).



(Figure 9)

- By using the 4 x 40 screws provided with the hood, install the appliance to the cabinet from the points A, B, C and D. When the slider set moves, the front panel shall not rub on the cabinet door (Figure 9)

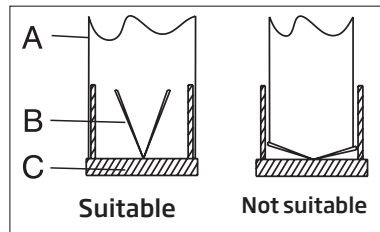


(Figure 10)

- Install flexible aluminium pipe to plastic flue outlet. Install the other end of the pipe to the flue hole on the wall (Figure 10).

### 5.4 Connecting to Flue

If you are going to use the  $\text{\O} 120/150$  mm plastic flue adapter, connect one end of the pipe to this adapter, if you are not going to use it, to the direct output on the product. Connect the other end of the pipe to your flue. Check that these two connections are tight enough so they will not come out when the appliance runs on full power. Ensure that the flaps inside the flue work when tightened with clamp. Connect the flue connection duct outside the adapter. If the connection duct is fitted inside the adapter, the covers that prevent air return shall remain closed and air won't be sucked in. The length of the pipe connection as well as the number of elbows must be as minimum as possible.



- A : Flue exit pipe  
B : Non return flaps  
C : Plastic Flue

The valves are closed then the appliance is not operating and prevent possible outside odour and dust from entering inside.

## 6 Troubleshooting

Troubleshooting	Root Cause	Help
Appliance is not working.	Check your fuse.	Your fuse may be off, bring it to the operating condition.
Appliance is not working.	Check the electrical connection.	Mains voltage shall be between 220 and 240 V.
Appliance is not working.	Check the electrical connection.	Check if other appliances available in the kitchen are operating.
Illumination lamp does not operate.	Check the electrical connection.	Mains voltage shall be between 220 and 240 V.
Illumination lamp does not operate.	Inspect the lamp switch.	Lamp switch shall be at "on" position.
Illumination lamp does not operate.	Inspect the lamps.	The lamps of the appliance shall not be faulty.
Air intake of the appliance is weak.	Inspect the aluminium filter.	Under normal operating conditions, aluminium Grease Filter shall be cleaned at least once in a month.
Air intake of the appliance is weak.	Check the air discharge flue.	Air discharge flue shall be "open".
Air intake of the appliance is weak.	Inspect the carbon filter.	For the appliances with carbon filters, this filter shall be replaced once in every 3 months under normal conditions.

Arçelik A.Ş. Karaağaç Caddesi No:2-6,  
34445, Söğütözü / İSTANBUL

[www.beko.com](http://www.beko.com)