



## Statement of compliance for UK PSTI

We Hefei Hualing Co., Ltd.

hereby declare for below product that we meet mandatory below requirements and standards.

Brand: **Midea**

Product Name: **Refrigerator-Freezer**

Product Model/type: **MDRB521MIC46 / MDRB521MIC01 / MDRS619FIE46 / MDRF632FIE46  
/ MDRF692FIC46 / MDRS791MIC46**

Batch/serial no.: **See the serial no. in the machine**

Support period with end date Period: **5 years** End date: **31st December 2028**

The product meets the following requirements of PSTI Schedule 1 or Schedule2:

Clause	Clause Requirements/Standards in PSTI we met
Passwords	<input type="checkbox"/> 1(1) to (4) of Schedule 1 <input checked="" type="checkbox"/> 1(1) of Schedule 1 and 5.1-1&5.1-2 of ETSI EN 303645 v2.1.1(2020-06)
Information on how to report security issues	<input type="checkbox"/> 2(1) to (3) of Schedule 1 <input checked="" type="checkbox"/> 2(1) of Schedule 1 and 5.2-1 of ETSI EN 303645 v2.1.1(2020-06) <input type="checkbox"/> 2(1) and 2(3) of Schedule 1 and paragraph 6.2.2&6.2.5&6.5 of ISO/IEC 29147:2018(2018-10) &2(4) of Schedule 2
Information on minimum security update periods	<input type="checkbox"/> 3(1) to (6) of Schedule 1 <input checked="" type="checkbox"/> 3(1)&3(3)&3(5)&3(6) of Schedule 1 and 3(3) to (4) of Schedule 2: 5.3-13 of ETSI EN 303645 v2.1.1(2020-06)

To which this Statement of compliance is presented, meeting the relevant requirements of 2023 No. 1007 The Product Security and Telecommunications Infrastructure (Security Requirements for Relevant Connectable Products) Regulations 2023, Schedule 2 Conditions for Deemed Compliance with Security Requirements based on the test reports and technical documents.

Signed for and on behalf of:

Hefei Hualing Co., Ltd.

Address:

No.176 JinXiu Road, Hefei Economy & Technology Development Area, 230601, Hefei, Anhui, P.R. China

Name:

Teng Jianwen

Signature:

Function:

QA Director

Date of issue:

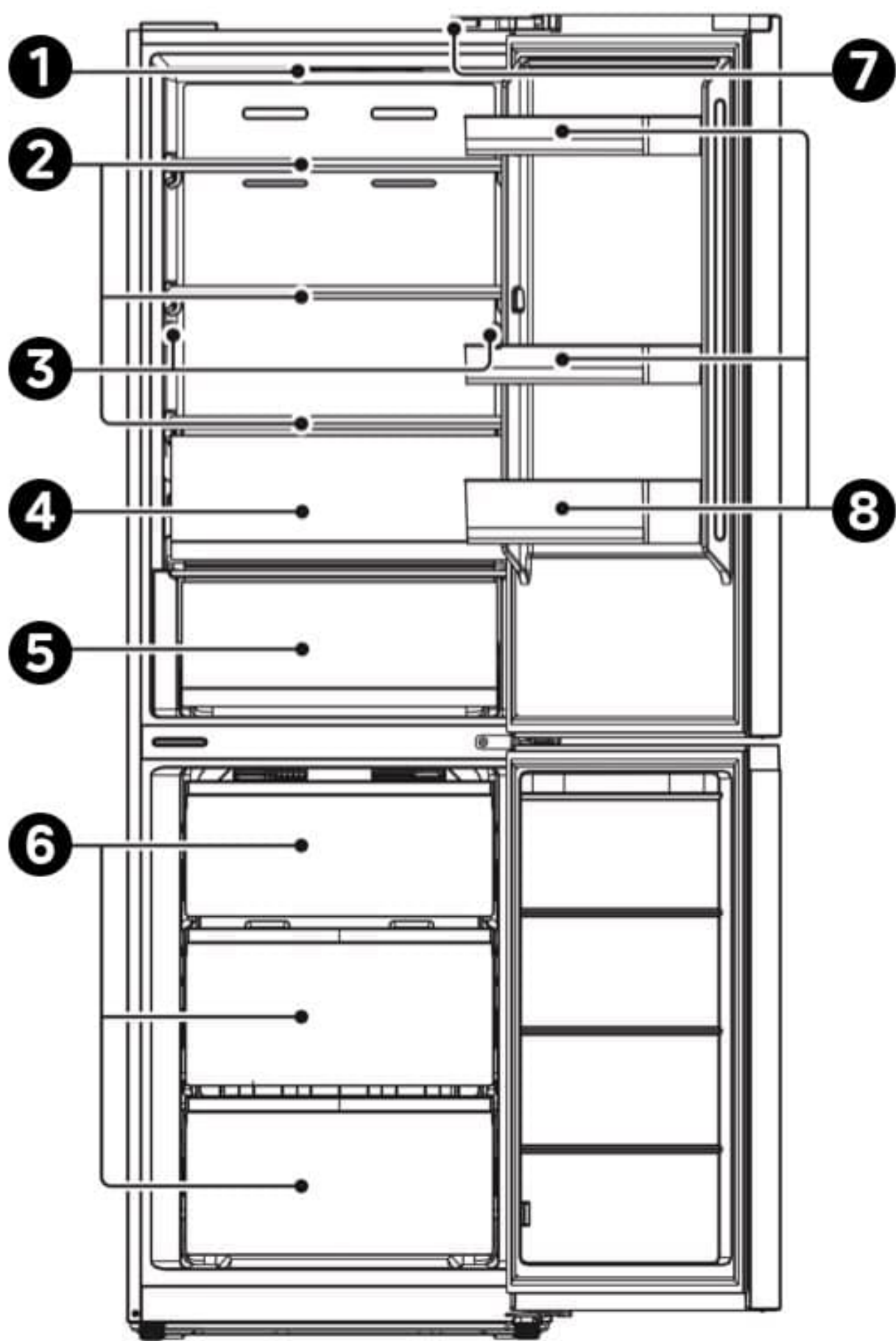
15th April 2024

Place of issue:

Hefei, Anhui, People's Republic of China

# Product Overview

## Product structure



## Names of components

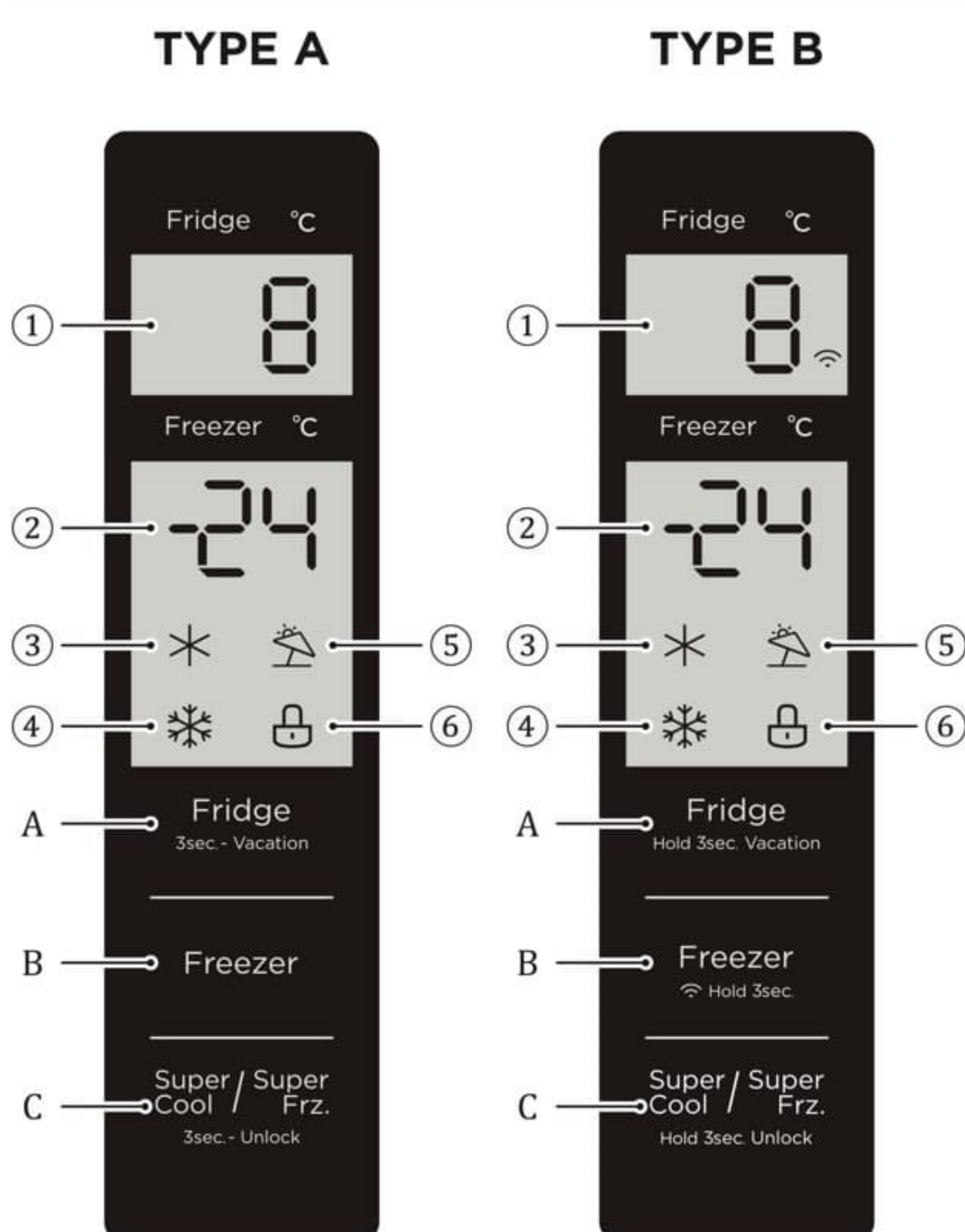
- ① LED light
- ② Shelf
- ③ LED light (for some models)
- ④ Fruits And Vegetables Box
- ⑤ Meat & fish box
- ⑥ Drawer
- ⑦ Door switch
- ⑧ Door Tray

## Attention

The picture above is only for reference. The actual configuration will depend on the physical product or statement by the distributor.

# Product Operation

## Display screen



## Operation instructions

① Refrigerating chamber temperature display area

② Freezing chamber temperature display area

③ Quick cool icon

④ Quick freeze icon

⑤ Vacation icon

⑥ Lock icon

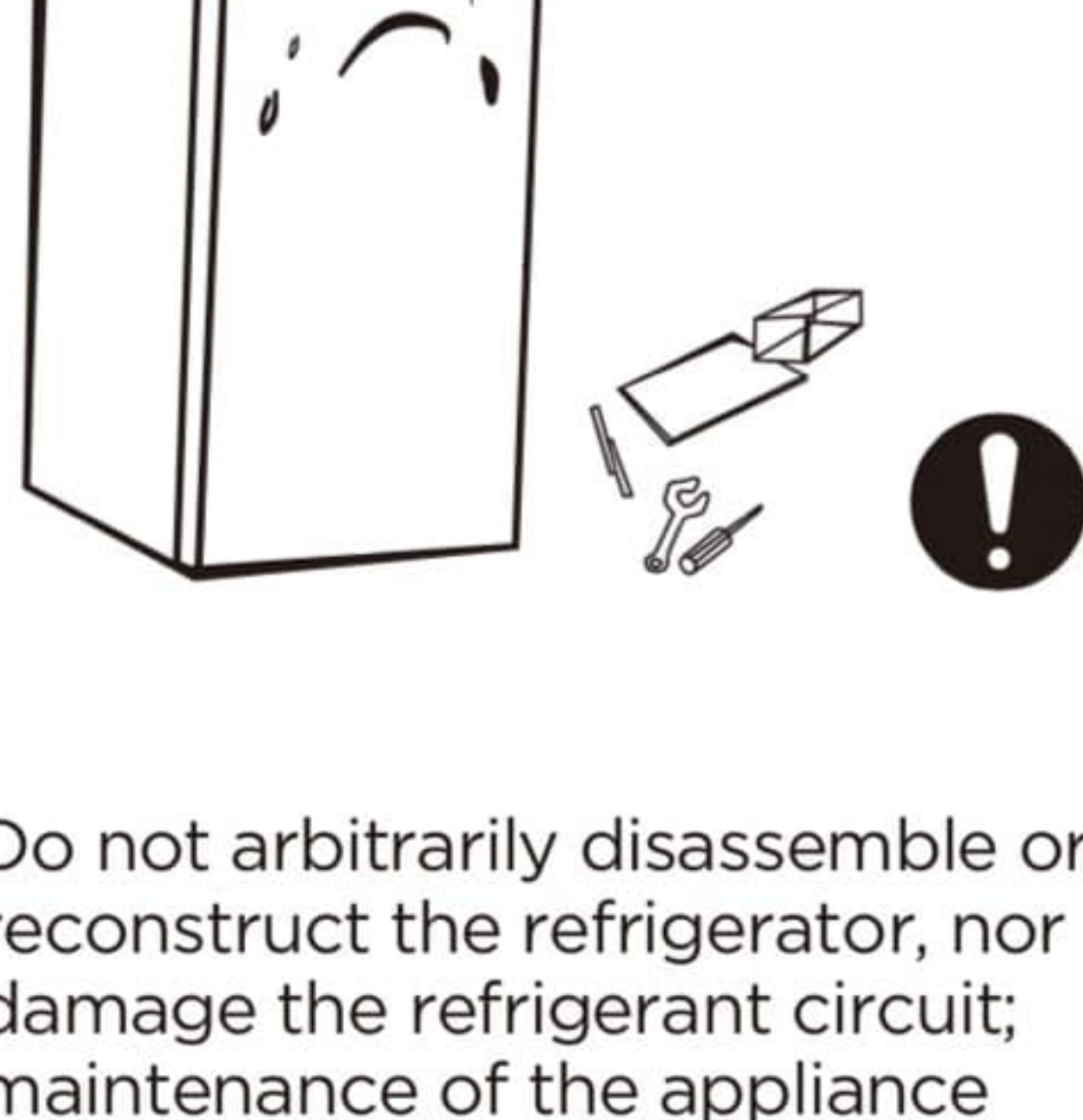
A. Temperature setting button of refrigerating chamber

B. Temperature setting button of freezing chamber

C. Super cool/super freezing button

# Safety Instructions

## Warnings for Use



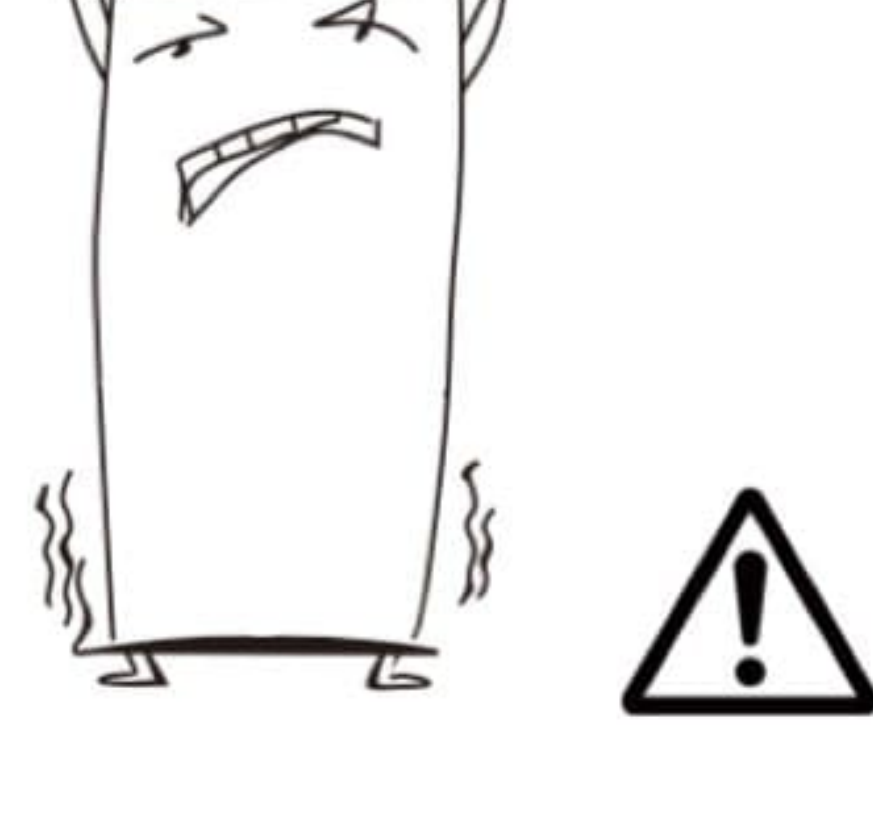
- Do not arbitrarily disassemble or reconstruct the refrigerator, nor damage the refrigerant circuit; maintenance of the appliance must be conducted by a specialist.



- Do not allow children to enter or climb inside the refrigerator to prevent that children are sealed in the refrigerator or injured by the falling refrigerator.

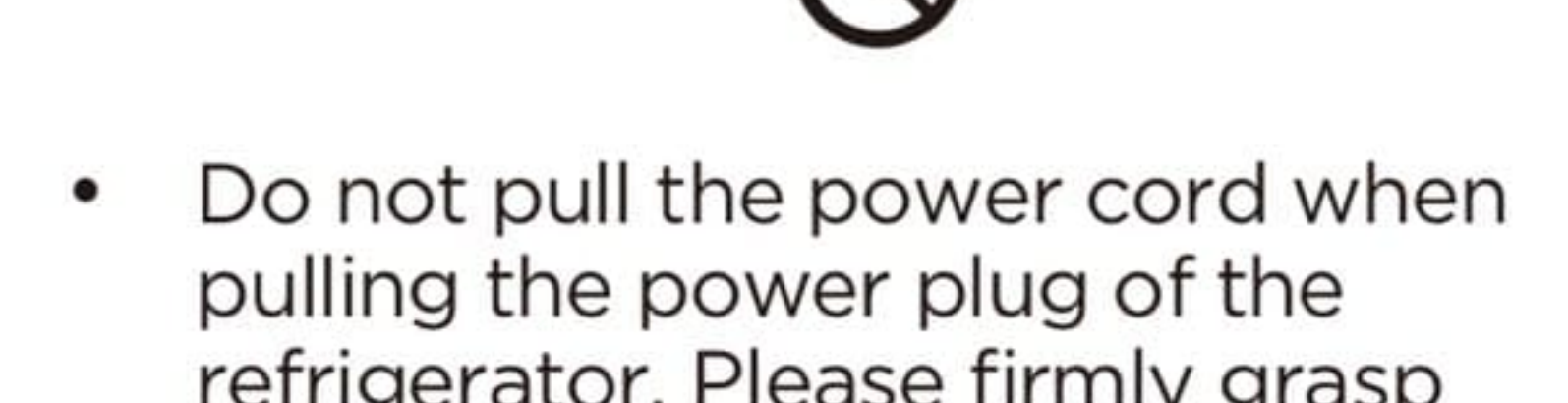


- The gaps between refrigerator doors and between doors and refrigerator body are small, do not place your hands in these areas to prevent squeezing your fingers. Please be gentle when opening the refrigerator door to avoid articles falling out.



- Do not place heavy objects on top of the refrigerator considering that objects may fall when opening the door, and accidental injuries might be caused.

## Electricity Related Warnings



- Do not pull the power cord when pulling the power plug of the refrigerator. Please firmly grasp the plug and pull out from the socket.
- To ensure safe use, do not damage the power cord or use the power cord when it is damaged or worn.
- Please use a dedicated power socket; the power socket shall not be shared with other electrical appliances.



- Please turn off the valve of leaking gas and then open doors and windows in case of leakage of gas and other flammable substances. Do not unplug the refrigerator and other electrical appliances considering that spark may cause a fire.
- Do not use electrical appliances on top of the appliance, unless they are of the type recommended by the manufacturer.

## Warnings Related to Placing Items



- Do not place flammable, explosive, volatile and highly corrosive items in the refrigerator to prevent damages to the product or fire accidents.
- Do not place flammable items near the refrigerator to avoid fires.



- This product is a household refrigerator and is only suitable for the storage of foods. According to national standards, a household refrigerator shall not be used for other purposes, such as storage of blood, drugs or biological products.

- Do not store beer, beverages or other fluids contained in bottles or enclosed containers in the freezing chamber of the refrigerator, otherwise the bottles or enclosed containers may crack due to freezing and cause damages.

# Troubleshooting

The following simple issues can be handled by the user. Please call the after-sale service department if the issues are not solved.

Problem	Possible reason
Failed operation	<ul style="list-style-type: none"><li>• Check whether the appliance is connected to power or whether the plug is in well contact.</li><li>• Check whether the voltage is too low</li><li>• Check whether there is a power failure or partial circuits have tripped</li></ul>
Odor	<ul style="list-style-type: none"><li>• Odorous foods shall be tightly wrapped</li><li>• Check whether there is any rotten food</li><li>• Clean the inside of the refrigerator</li></ul>
Long-time operation of the compressor	<ul style="list-style-type: none"><li>• Long operation of the refrigerator is normal in summer</li><li>• when the ambient temperature is high It is not suggestible having too much food in the appliance at the same time.</li><li>• Food shall get cool before being put into the appliance</li><li>• The doors are opened too frequently</li></ul>
Light fails to get lit	<ul style="list-style-type: none"><li>• Check whether the refrigerator is connected to power supply and whether the illuminating light is damaged.</li><li>• Have the light replaced by a specialist</li></ul>
Door can not be properly closed	<ul style="list-style-type: none"><li>• The door is stuck by food packages Too much food is placed</li><li>• The refrigerator is tiltedr.</li></ul>
Loud noises	<ul style="list-style-type: none"><li>• Check whether the floor is level and whether the refrigerator is placed stably</li><li>• Check whether accessories are placed at proper locations.</li></ul>
Door seal fails to be tight	<ul style="list-style-type: none"><li>• Remove foreign matters on the door seal</li><li>• Heat the door seal and then cool it for restoration (or blow it with an electrical drier or use a hot towel for heating)</li></ul>
Water pan overflows	<ul style="list-style-type: none"><li>• There is too much food in the chamber or food stored contains too much water,resulting in heavy defrosting.</li><li>• The doors are not closed properly, resulting in frosting due to entry of air and increased water due to defrosting</li></ul>
Hot housing	<ul style="list-style-type: none"><li>• Heat dissipation of the built-in condenser via the housing, which is normal When housing becomes hot due to high ambient temperature, storage of too much food or shutdown of the compressor is shut down, provide sound ventilation to facilitate heat dissipation</li></ul>
Surface condensation	<ul style="list-style-type: none"><li>• Condensation on the exterior surface and door seals of the refrigerator is normal when the ambient humidity is too high. Just wipe the condensate with a clean towel.</li></ul>
Abnormal noise	<ul style="list-style-type: none"><li>• Buzz: The compressor may produce buzzes during operation, and the buzzes are loud particularly upon start or stop. This is normal.</li><li>• Creak: Refrigerant flowing inside of the appliance may produce creak, which is normal.</li></ul>

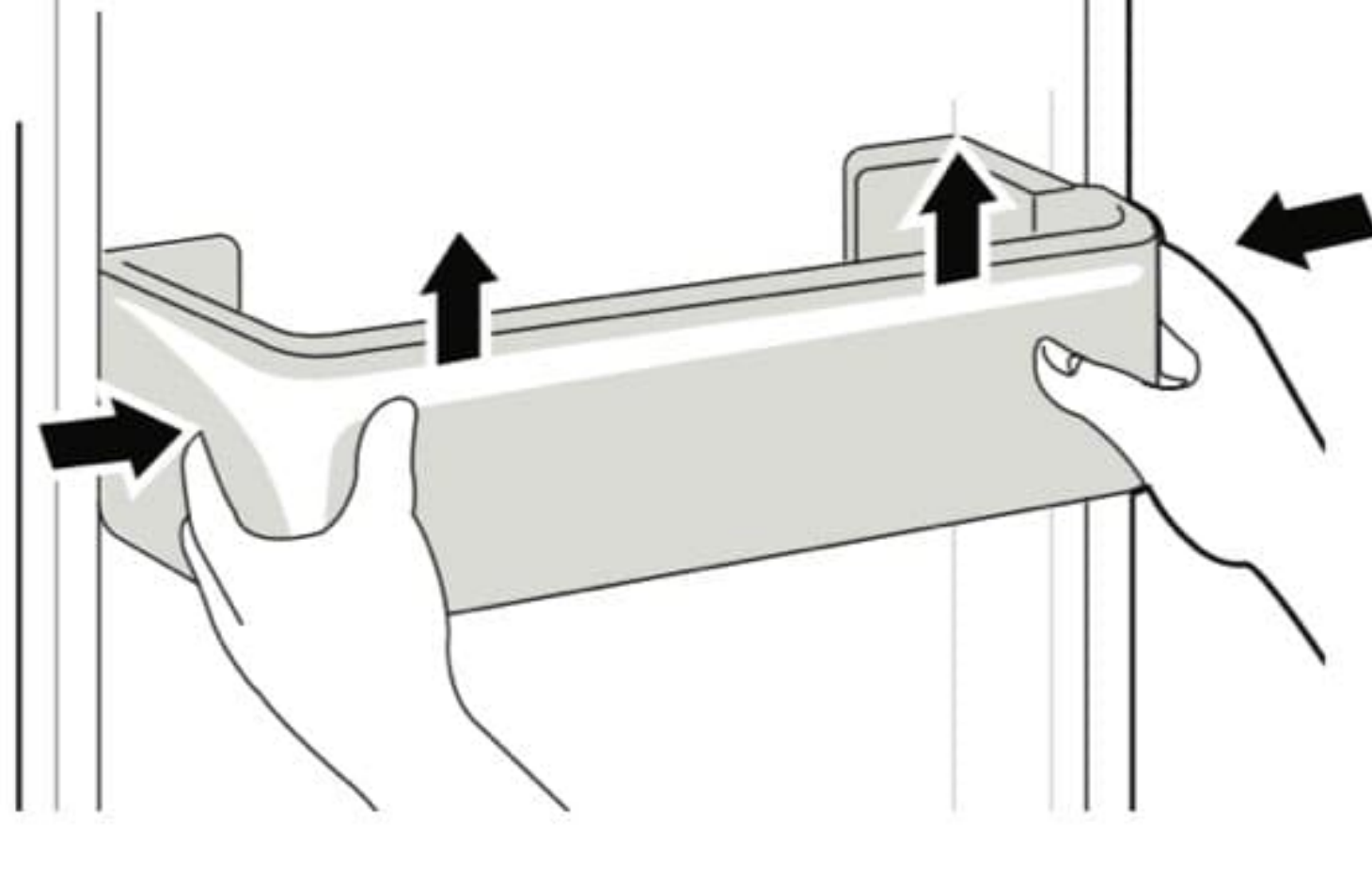
# Maintenance Tips

## Overall Cleaning



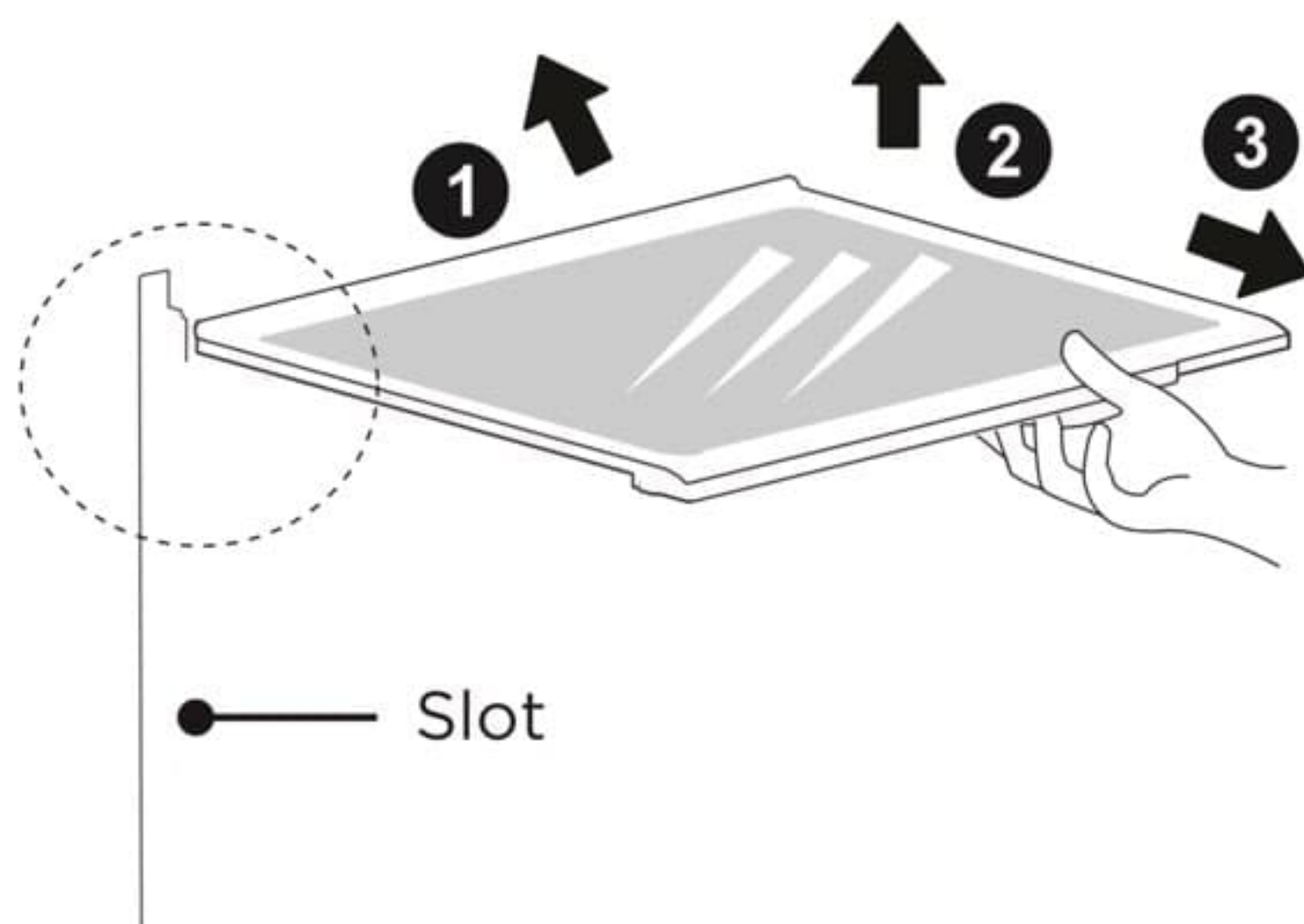
- Do not use hard brushes, scouring pads, wire brushes, abrasives (such as toothpaste), organic solvents (such as alcohol, acetone, banana oil, etc.), boiling water, acid or alkaline items, which may damage the fridge surface and interior. Boiling water and organic solvents such as benzene may deform or damage plastic parts..
- Do not rinse directly with water or other liquids during cleaning to avoid short circuit or affect electrical insulation after immersion.

## Cleaning of door tray



- According to the direction arrow in the figure below, use both hands to squeeze the tray, and push it upward, then you can take it out.
- After washing the tray having been taken out, you can adjust its installing height in accordance with your requirement.

## Cleaning of glass shelf



- 1 Please hold the front edge of shelf, and tilt the shelf inwards until the lower end of fixed leg is separated from the slot of supporting iron;
- 2 Uplift the whole shelf until it can not rise anymore;
- 3 Take out the shelf horizontally.

## Important

- Please unplug the refrigerator for defrost and cleaning.
- The appliance shall run continuously once it is started. Generally, the operation of the appliance shall not be interrupted; otherwise the service life may be impaired.