

KFN 4391 ED

Freestanding fridge-freezer

with DailyFresh ExtraCool, NoFrost and LED lighting for great convenience.



- 2 drawers, one with adjustable humidity – DailyFresh ExtraCool
- No icing up of food and no need to defrost thanks to NoFrost
- Uniform temperature distribution inside the appliance – DynaCool
- Handle-less design thanks to an integrated handle design
- More space and convenience thanks to XL interior cabinet



EAN: 4002516572237 / Material number: 12057080 / Old Material Number: 38439151GB

<b>Appliance category</b>	
Fridge-freezer	•
<b>Construction type</b>	
Freestanding appliance	•
Door hinge	Right convertible
Convertible door hinging	•
<b>Design</b>	
Casing colour	Silver
Front colour	Stainless look
Refrigeration section lighting	LED
<b>User convenience</b>	
Freshness system	DailyFresh
DynaCool	•
NoFrost	•
XL interior	•
VarioRoom	•
<b>Controls</b>	
Operating concept	EasyControl
Precise adjustment	Kühl- und Gefriertemperatur
Independent temperature regulation of fridge and freezer zones	Yes
Automatic SuperCool	•
SuperFreeze	•
No. of temperature zones	2
Eco mode	•
<b>Fridge/Fridge section</b>	
No. of shelves	5
Chrome-plated metal bottle rack	•
No. of crisper drawers	2
Number of inner door racks for tinned food	3
Door rack for bottles	1
Door shelves	4
<b>Freezer/Freezer section</b>	
Number of freezer drawers	3
<b>Efficiency and sustainability</b>	
Energy efficiency class (A–G)	E
Annual energy consumption in kWh	238.00
Energy consumption in 24 h in kWh	0.65
<b>Safety</b>	
Acoustic door alarm	•
Acoustic temperature alarm	•
Optical door alarm	•
Optical temperature alarm	•
<b>Technical data</b>	
Niche depth in mm	550
Appliance width in mm	600
Appliance height in mm	2030
Appliance depth in mm	660
Weight in kg	74.6
Climate class	SN-T

KFN 4391 ED

Freestanding fridge-freezer

with DailyFresh ExtraCool, NoFrost and LED lighting for great convenience.



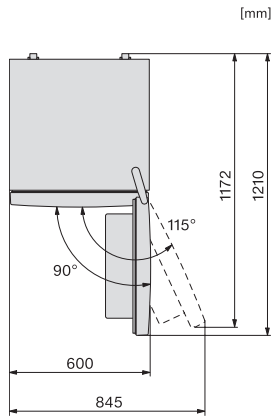
EAN: 4002516572237 / Material number: 12057080 / Old Material Number: 38439151GB

Refrigerator compartment in l	279
4* freezer compartment in l	89
Total usable capacity in l	368
Storage time in case of fault in h	12
Freezer capacity in kg/24 h	10.00
Noise class (A-D)	C
Sound power in dB(A) re 1 pW	39
Current consumption (mA)	1500
Voltage in V	220-240
Fuse rating in A	13
Number of phases	1
Frequency in Hz	50
Length of supply lead in m	2.4
Replacing lamps	Customer Service
<b>Accessories supplied</b>	
Egg tray	•
Ice cube tray	•

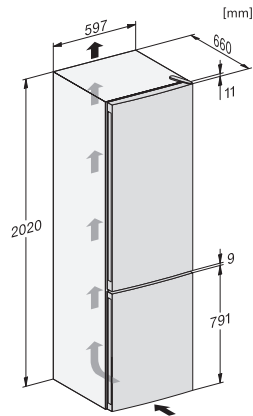
## KFN 4391 ED

Freestanding fridge-freezer

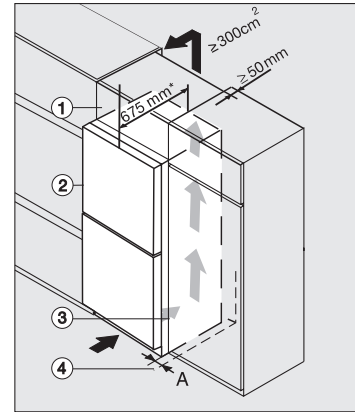
with DailyFresh ExtraCool, NoFrost and LED lighting for great convenience.



KFN4374ED, KDN4074E Active, KDN4071E Active, KDN4174E Active, KFN4391ED, KFN4394ED, top view (installation drawings)



KFN4391ED, KFN4394ED, installation sketch (installation drawings)



Integrating freestanding refrigeration appliance in a run of kitchen units, edt/cs, ws, bst, el (\*footnote)

1. Top box, 2. Refrigeration appliance, door depth = 75 mm, 3. Housing unit, 4. Wall, A = 25 mm (with recessed grip)/60 mm (with handle), \* The appliance depth is increased by approx. 15 mm for refrigeration appliances with wall spacers fitted.