

KDN 7713 E Active

Built-in fridge-freezer combination

with DailyFresh ExtraCool, LED lighting, NoFrost and sliding hinge.



- 2 drawers, one with adjustable humidity – DailyFresh ExtraCool
- Optimum and maintenance-free LED lighting in compartment
- No icing up of food and no need to defrost thanks to NoFrost
- Food is chilled quickly thanks to Automatic SuperCool



EAN: 4002516604235 / Material number: 12142670 / Old Material Number: 38771350GB

Appliance category	
Fridge-freezer	•
Construction type	
Built-in appliance	•
Integrated appliance	•
Door hinge	Right convertible
Convertible door hinging	•
User convenience	
NoFrost	•
DuplexCool	•
VarioRoom	•
Controls	
Operating concept	EasyControl
Fridge compartment can be switched off	No
Independent temperature regulation of fridge and freezer zones	No
Automatic SuperCool	•
SuperFreeze	•
No. of temperature zones	2
Party mode	•
Fridge/Fridge section	
No. of shelves	4
Chrome-plated metal bottle rack	•
No. of crisper drawers	2
Number of inner door racks for tinned food	2
Door rack for bottles	1
Door shelves	3
Freezer/Freezer section	
Number of freezer drawers	3
Efficiency and sustainability	
Energy efficiency class (A–G)	E
Annual energy consumption in kWh	233.97
Energy consumption in 24 h in kWh	0.64
Safety	
Acoustic door alarm	•
Optical door alarm	•
Technical data	
Niche width in mm min.	560
Niche width in mm max.	568
Niche height in mm min.	1772
Niche height in mm max.	1780
Niche depth in mm	550
Appliance width in mm	541
Appliance height in mm	1772
Appliance depth in mm	548
Weight in kg	52.6
Door hinge technology	Sliding door connection
Max. door front weight – refrigerator, in kg	15
Max. door front weight – freezer, in kg	15
Climate class	SN-ST

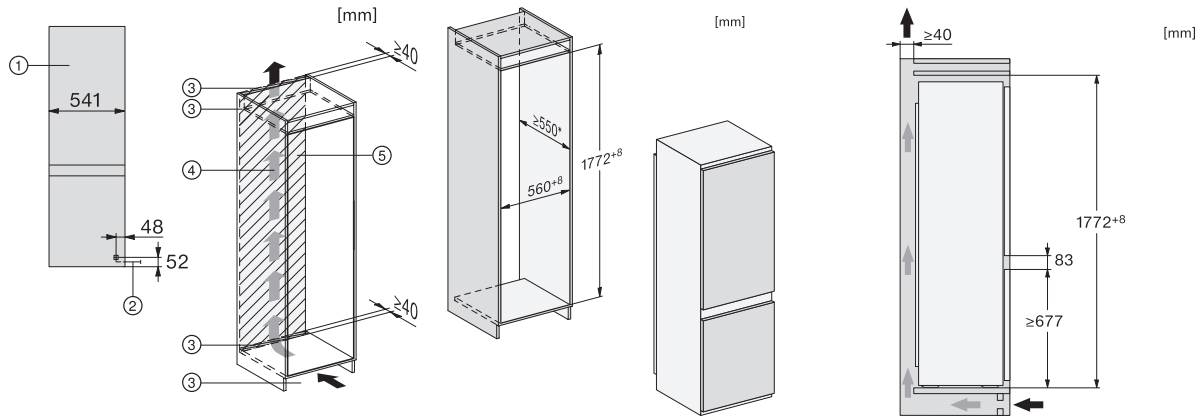
KDN 7713 E Active
 Built-in fridge-freezer combination
 with DailyFresh ExtraCool, LED lighting, NoFrost and sliding hinge.



EAN: 4002516604235 / Material number: 12142670 / Old Material Number: 38771350GB

Refrigerator compartment in l	184
4* freezer compartment in l	76
Total usable capacity in l	260
Storage time in case of fault in h	9
Freezer capacity in kg/24 h	4.00
Noise class (A-D)	B
Sound power in dB(A) re 1 pW	35
Current consumption (mA)	1000
Voltage in V	220-240
Fuse rating in A	13
Number of phases	1
Frequency in Hz	50
Length of supply lead in m	2.3
Replacing lamps	Customer Service
Accessories supplied	
Ice cube tray	•

KDN 7713 E Active
 Built-in fridge-freezer combination
 with DailyFresh ExtraCool, LED lighting, NoFrost and sliding hinge.



KD7713E, KD7714E, KD7724E, KDN7713E, KDN7714E, KDN7724E Active, installation (footnote*) (installation drawings)

*1. View from the front, 2. Mains connection cable, L = 2300 mm, 3. Ventilation cut-out min. 200 cm², 4. Ventilation, 5. No connections permitted in this area

KD7713E Active, KDN7713E Active, built-in (footnote*) (installation drawings)

*The declared energy consumption was calculated in a 560 mm deep niche. The appliance is fully functional in a 550 mm niche but the energy consumption will be slightly higher.

KD7713E Active, KDN7713E Active, side view (installation drawings)