

iQ500, Integrated Design Hood, 60 cm, clear glass black printed LJ67BAM60B



B

Seamlessly integrated design hood for maximum use of storage space in your cupboards.

- ✓ Intensive setting revert - Peak performance when steam escapes, and an automatic revert after a few minutes.
- ✓ Storage space - Store up to 10 kg on each side of the hood.
- ✓ touchControl Plus - Easy control of the program settings and light functions.
- ✓ LED lights: for optimal visibility and ambience while cooking.

Optional accessories

| | |
|-----------|--|
| LZ16IB14 | Clean Air Standard recirculation kit |
| LZ10ITP00 | Long Life odor filter (replacement) |
| LZ11IBK61 | Chimney extension 450-854 mm |
| LZ11IBN61 | Chimney extension 187-360 mm |
| LZ11ITD11 | Long Life recirculation kit external |
| LZ11IXB16 | Clean Air Plus odor filter (replacement) |
| LZ11IXC16 | Clean Air Plus recirc. kit external |
| LZ16IBB14 | Clean Air Standard odor filter (repl.) |

Features

Technical Data

| | |
|--|------------------------------|
| Typology: | Built-in/Built-under |
| Length of electrical supply cord: | 130.0 cm |
| Min. required niche size for installation (HxWxD): | 340mm x 560.0mm x 300mm mm |
| Minimum distance above an electric hob: | 430 mm |
| Minimum distance above a gas hob: | 650 mm |
| Weight: | 9.4 kg |
| Control panel: | Electronic |
| Number of speed settings: | 3-stages + intensive setting |
| Max. air extraction: | 460 m³/h |
| Boost position output recirculating: | 652 m³/h |
| Max. recirculation: | 451 m³/h |
| Boost position air extraction: | 749 m³/h |
| Maximum Air flow: | 460 m³/h |
| Number of lights (Stck): | 2 |
| Noise level: | 63 dB(A) re 1 pW |
| Diameter of air outlet: | 120 / 150 mm |
| Grease filter material: | Washable stainless steel |
| EAN code: | 4242003906361 |
| Connection Rating: | 256 W |
| Nominal power: | 220-240 V |
| Frequency: | 50 Hz |
| Plug type: | GB plug |
| Installation type: | Built-in |



iQ500, Integrated Design Hood, 60 cm, clear glass black printed LJ67BAM60B

Features

Variant

- 60 cm wide
- Installation: Cupboard 60 cm
- Suitable for ducted and re-circulating operation
- For recirculated extraction various recirculation kits are available as optional accessories.

Design

- Flush-fitted installation for a seamless integration in wall cupboards.
- Space efficient compact design for extra storage possibilities on the hood, up to max. 10 kg storage weight per side.
- Glass panel with touch control for an easy operation and enhanced vapor capture.
- Extraction and lighting are automatically turned on and off by opening and closing the glass panel.
- Lighting can also be turned on and off when the glass panel is closed by quick hand touch on control panel.
- Includes mats for hood storage areas, protection against scratches and to help prevent items moving in this space.

Features

- Electronic control via touchControl
- 3 x power levels plus intensive setting
- softLight with dimmer function
- 2 x 2 W LED lights
- Colour Temperature: 3500 K
- Light Intensity: 451 lux
- Automatic intensive revert
- Automatic intensive revert (6mins)
- Steel filter cover
- 2 x metal grease filter cassettes
- Easy to clean smooth surfaces and materials.

Performance

- Extraction rate according to EN 61591 ø 15 cm:
- max. Normal use: 460 m³/h
- Intensive: 749 m³/h
- Noise level according to EN 60704-3 and EN 60704-2-13 exhaust air:
- Max. normal use: 63 dB(A) re 1 pW
- Intensive: 73 dB(A) re 1 pW
- Noise max. Normal Level: Noise, max. speed in normal use: 63 dB dB*
- With the Clean Air Plus recirculation kit (available as optional accessory) your appliances reaches:
- Extraction rate in recirculation mode: Max. normal use: 451 m³/h
- Intensive: 652 m³/h
- Noise level in recirculation mode: Max. normal use: 67 dB(A) re 1 pW
- Intensive: 74 dB(A) re 1 pW

Planning and installation information

- Installation system: IDH comfort installation
- Suitable for installation in bottomless wall cupboards.

- Enclosed spacers for installation in wall cupboards with maximum depth of up to 360mm.
- For installation in higher wall cupboards chimney extensions are available as optional accessories.
- Chimney extensions are compatible with the available recirculation kits.
- Dimensions (HxWxD): 340 x 597 x 298 mm
- Built-in dimensions (HxWxD): 340 x 560 x 300 mm
- Diameter pipe Ø 150 mm (Ø 120 mm enclosed)
- Back-pressure flap: Yes
- Electrical cable length 1.3 m
- Please reference the built-in dimensions provided in the installation drawings

Consumption Data

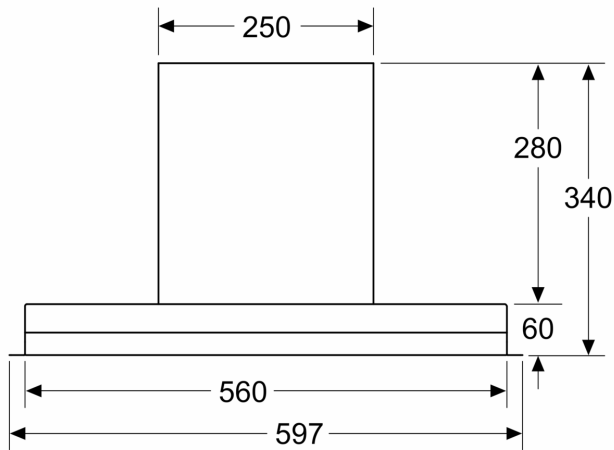
- Energy Efficiency Class: B (at a range of energy efficiency classes from A+++ to D)
- Average Energy Consumption: 62.7 kWh/year*
- Blower Efficiency Class: B*
- Lighting Efficiency Class: A*
- Grease Filtering Efficiency Class: B*
- Power rating: 256 W

* In accordance with the EU-Regulation No 65/2014

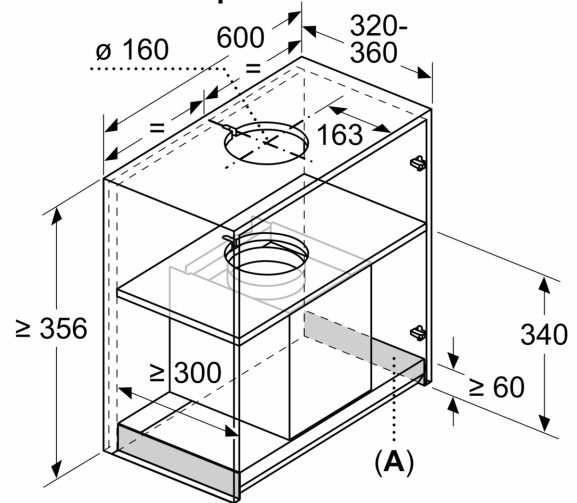
iQ500, Integrated Design Hood, 60 cm, clear glass black printed LJ67BAM60B

Dimensioned drawings

measurements in mm
Front view

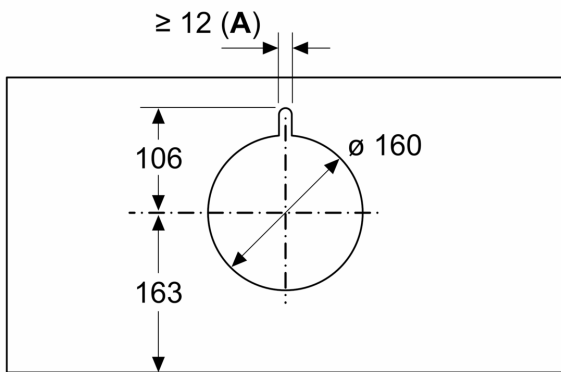


measurements in mm
Installation example



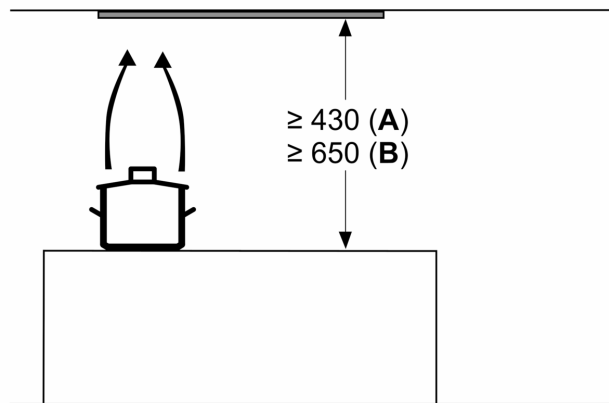
A: Area without hinges

measurements in mm



A: Cable bushing

measurements in mm



from upper edge of pan support

A: min. 430 electric
B: min. 650 gas

Dimensioned drawings

measurements in mm
side view

