

N 30, BUILT-IN FRIDGE, 122.5 X 56 CM, SLIDING HINGE  
K11411SEO



This built-in refrigerator keeps food at its freshest thanks to the ideal air circulation Eco Air Flow.

- ✓ Fresh Safe – Fridge drawer for dedicated fresh fruit and veg storage.
- ✓ Adjustable Glass Shelves – Height adjustable shelves create the space you need for inspiring dishes in your fridge
- ✓ Our safety glass shelves happily shoulder generous loads of delicacies in your fridge
- ✓ Eco Air Flow – Even air circulation for constant temperatures and fast cooling.
- ✓ LED Light – Pleasant illumination for the entire fridge, with long-life LEDs.

### Features

#### Technical Data

Energy Efficiency Class: .....E  
 Average annual energy consumption in kilowatt hour per year (kWh/a): ..... 101 kWh/a  
 Sum of volume of frozen compartments: ..... 0 l  
 Sum of volume of chill compartments: ..... 204 l  
 Airborne acoustical noise emissions : ..... 35 dB(A) re 1 pW  
 Airborne acoustical noise emission class: ..... B  
 Construction type: ..... Built-in  
 Door panel options: ..... Not possible  
 Height: ..... 1221 mm  
 Width of the appliance: ..... 541 mm  
 Depth of the product: ..... 550 mm  
 Min. required niche size for installation (HxWxD): .. 1225.0 x 560 x 550 mm  
 Net weight: ..... 38.1 kg  
 Fuse protection: ..... 10 A  
 Door hinge: ..... Right reversible  
 Voltage: ..... 220-240 V  
 Frequency: ..... 50 Hz  
 Length of electrical supply cord: ..... 230.0 cm  
 Number of compressors: ..... 1  
 Number of independent cooling systems: ..... 1  
 Interior ventilator: ..... No  
 Reversible Door Hinge: ..... Yes  
 Number of Adjustable Shelves in fridge compartment (Stck): 4  
 Shelves for Bottles: ..... No  
 EAN code: ..... 4242004264644  
 Brand: ..... Neff  
 Product name / Commercial code: ..... K11411SEO  
 Product category: ..... Refrigerator  
 Frost free system: ..... No  
 Installation type: ..... Full-integrated  
 Included accessories: ..... 3 x egg tray

#### Included accessories

3 x egg tray

#### Optional accessories

KS6B0RZ0 Bottle Rack  
 KSGG0MZ0 Butter box



*N 30, BUILT-IN FRIDGE, 122.5 X 56 CM, SLIDING  
HINGE  
K17411SEO*

#### Features

- Built-in fridge
- easy Installation
- Sliding hinge, softClosing door: No

#### Performance and Consumption

- EU19\_EEK\_D: E
- Total Volume : 204 l
- Net Fridge Volume : 204 l
- Net Freezer Volume : 0 l
- Annual Energy Consumption: 101 kWh/a
- Climate Class: SN-ST
- EU19\_Fast freezer facility\_D
- Noise Level : 35 dB , EU19\_Noise emission class\_D: B

#### Functions

- Bright interior LED fridge light in fridge section

#### Design features

- Electronic control (LED chain)
- Super Cooling: automatic deactivation
- 5 safety glass shelves in fridge compartment of which 4 are height adjustable
- 1 removable door storage compartments.
- 4 door bins

#### Freshness System

- 1 FreshSafe drawer- The ideal place to store your fruit and vegetables safely.

#### Dimension and installation

- Dimensions: 122.1 cm H x 54.1 cm W x 54.8 cm D
- Niche Dimensions: 122.5 cm H x 56 cm W x 55 cm D
- 220 - 240 V

#### Key features - Fridge section

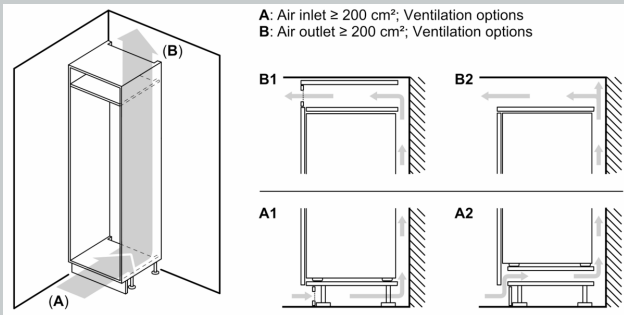
- 2 x egg tray

#### Country Specific Options

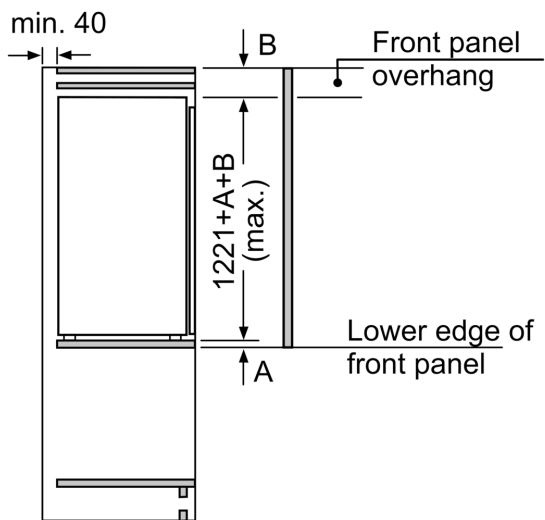
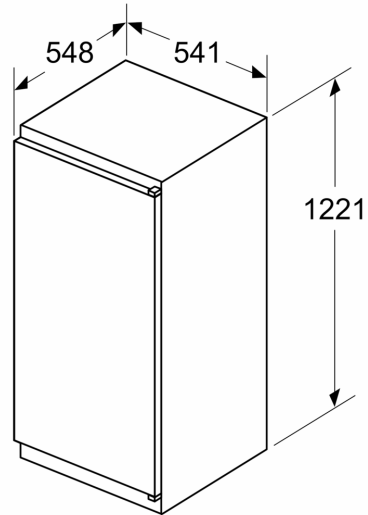
- Based on the results of the standard 24-hour test. Actual consumption depends on usage/position of the appliance.

N 30, BUILT-IN FRIDGE, 122.5 X 56 CM, SLIDING HINGE  
K11411SEO

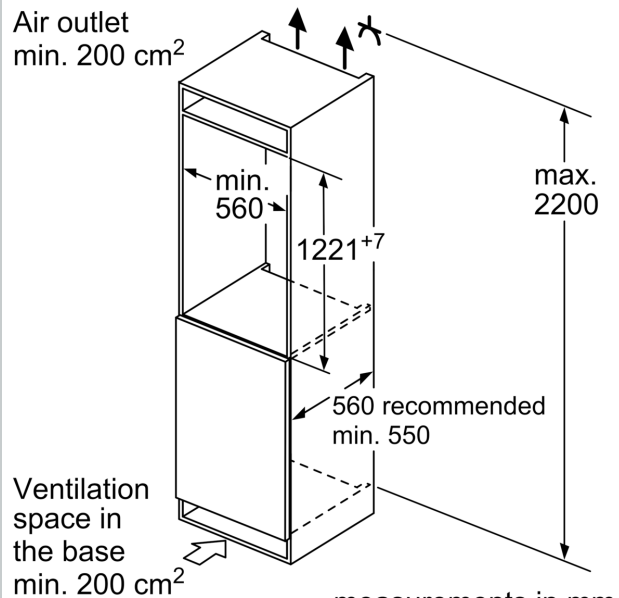
## Dimensioned drawings



## Measurements in mm



measurements in mm



measurements in mm