

**iQ500, Free-standing  
fridge-freezer with freezer at  
bottom, 203 x 60 cm,  
Inox-easyclean  
KG39NAIAT**



Bottom freezer with hyperFresh <math>0^{\circ}\text{C}</math> to keep fruit and vegetables fresh for longer, plus noFrost for no more defrosting – enjoy outstanding cooling results in the best energy efficiency and noise level class A.

- ✓ Energy efficiency class A: save energy with the most efficient appliances.
- ✓ hyperFresh <math>0^{\circ}\text{C}</math> – More space for fruit and vegetables. Dedicated storage for fish and meat.
- ✓ noFrost – Never defrost your freezer again.
- ✓ Metal backwall with multiAirflow system – Evenly chilled food and drinks on all levels.
- ✓ freezerLight – Brilliant lighting inside your freezer.

## Features

### Technical Data

Energy Efficiency Class: .....A  
 Average annual energy consumption in kilowatt hour per year (kWh/a): ..... 104 kWh/annum  
 Sum of volume of frozen compartments: ..... 103 l  
 Sum of volume of chill compartments: ..... 260 l  
 Airborne acoustical noise emissions : ..... 29 dB(A) re 1 pW  
 Airborne acoustical noise emission class: .....A  
 Built-in / Free-standing: ..... Freestanding  
 Door panel options: .....Not possible  
 Height: ..... 2030 mm  
 Width of the appliance: ..... 600 mm  
 Dimensions: .....665 mm  
 Weight: ..... 99.4 kg  
 Fuse protection: .....10 A  
 Door opening: ..... Right reversible  
 Nominal power: ..... 220-240 V  
 Frequency: .....50 Hz  
 Length electrical supply cord: ..... 210.0 cm  
 Number of compressors: ..... 1  
 Number of independent cooling systems: ..... 2  
 Interior ventilator: ..... No  
 Reversible Door Hinge: ..... Yes  
 Number of Adjustable Shelves in fridge compartment: ..... 3  
 Shelves for Bottles: ..... Yes  
 Frost free system: ..... Fridge and freezer  
 Installation type: ..... Freestanding



## iQ500, Free-standing fridge-freezer with freezer at bottom, 203 x 60 cm, Inox-easyclean KG39NAIAT

### Features

- Standard door Stainless steel anti-fingerprint
- Fridge freezer

#### Performance and Consumption

- EU19\_EEK\_D: A
- Total Volume : 363 l
- Annual Energy Consumption: 104 kWh/a
- EU19\_Fast freezer facility\_D
- Noise Level : 29 dB , EU19\_Noise emission class\_D: A

#### Functions

- Stainless steel anti-fingerprint doors and Pearl grey (VZF 07127) side panels
- vertical door handle
- LED fridge light with Soft Start in fridge section
- Metal backwall

#### Design features

- NO\_FROST\_NEU\_BL, never have to defrost ever again
- Electronic control (2 LED chains)
- Twin evaporators allows independent temperature control and ensures there is no transference of humidity between the fridge and freezer cavity.
- Optical and acoustical door open warning system
- Super Cooling: automatic deactivation
- Automatic defrost in fridge section

#### Design features

- Net Fridge Volume : 260 l
- 5 safety glass shelves in fridge compartment of which 3 are height adjustable
- Door shelves in fridge door: 1 large and 2 small.

#### Freshness System

- coolBox - extra cold fridge drawer. Ideal to store meat and fish.
- 1 hyperFresh box with integrated humidity control

#### Food freshness system

- Net Freezer Volume : 103 l
- Freezing capacity 24h : 11 kg
- Temperature rise time : EU19\_Temperature rise time\_D: 21 H
- 3 freezer drawers

#### Dimension and installation

- Dimensions: 203 cm H x 60 cm W x 66.5 cm D

#### Key features - Fridge section

- Right hinged door, door reversible
- Height adjustable front feet
- 220 - 240 V
- Climate Class: SN-T

- Length of power cord:210 cm

#### Key features - Freezer section

- 3 x egg tray, 2 x ice cube tray

#### Country Specific Options

- Based on the results of the standard 24-hour test. Actual consumption depends on usage/position of the appliance.

#### Additional features

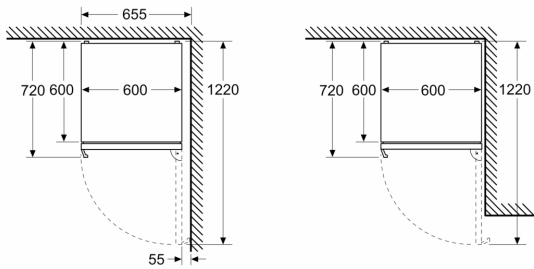
#### Design features

#### Dimension and installation

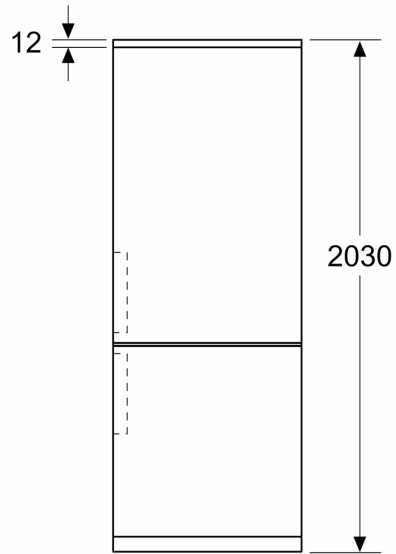
**iQ500, Free-standing  
fridge-freezer with freezer at  
bottom, 203 x 60 cm,  
Inox-easyclean  
KG39NAIAT**

Dimensioned drawings

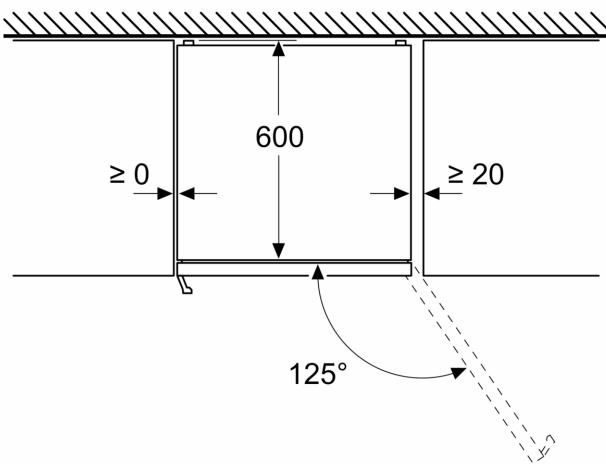
Measurements in mm



Measurements in mm



Measurements in mm



Measurements in mm

