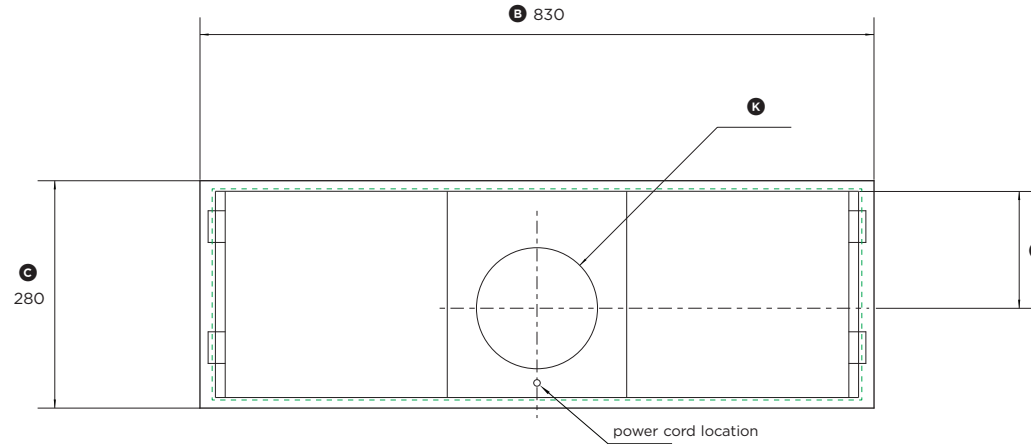
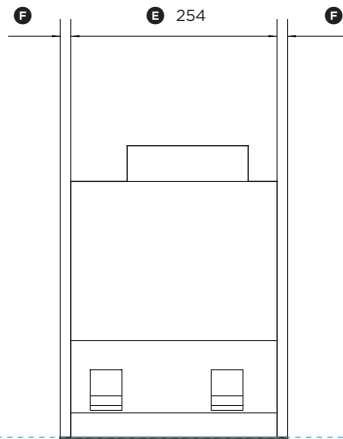


900mm Built In Powerpack Cooker Hood

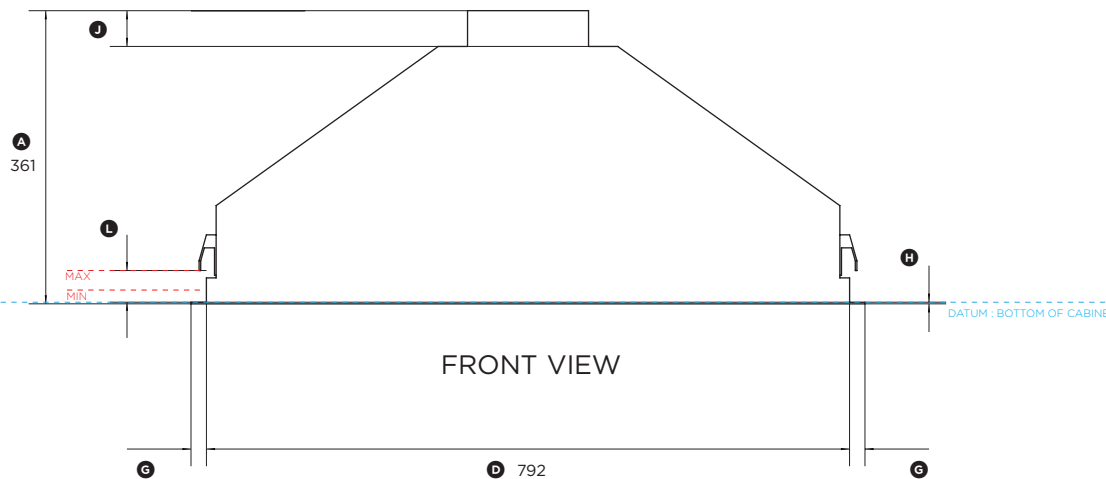
Model no:
HP90IDCHX2
HP90IHBC3



PLAN VIEW



PROFILE VIEW



FRONT VIEW



Product Dimensions	mm
Ⓐ Overall height of cooker hood	361
Ⓑ Overall width of cooker hood	830
Ⓒ Overall depth of cooker hood	280
Ⓓ Width of cooker hood chassis	792
Ⓔ Depth of cooker hood chassis	254
Ⓕ Depth of flange	13
Ⓖ Width of flange	19
Ⓜ Thickness of flange	2
Ⓣ Distance from ducting outlet centre to rear of chassis	144
Ⓝ Height of ducting outlet	44
Ⓚ Diameter of ducting outlet	150
Ⓛ Height adjustability of clip that secures cooker hood (cabinet base panel thickness)	min 15 - max 40

Cutout Dimensions	mm
Overall width of cutout*	800
Overall depth of cutout*	260

* Note cutout position is centred to the cooker hood width and depth.

Height from base of cooker hood to hob surface	mm
Gas	650 - 750
Electric (including induction)	600 - 750

INDICATES CUTOUT -----

INDICATES CABINETRY DATUM -----

INDICATES MINIMUM CABINETRY CLEARANCES -----

DATE: 15.06.2015

IMPORTANT NOTE: Throughout this guide, dimensions may vary by $\pm 2\text{mm}$ ($3/32''$). Please read the installation manual for detailed information on installing the product. www.fisherpaykel.com

900mm Built In Powerpack Cooker Hood

Model no:

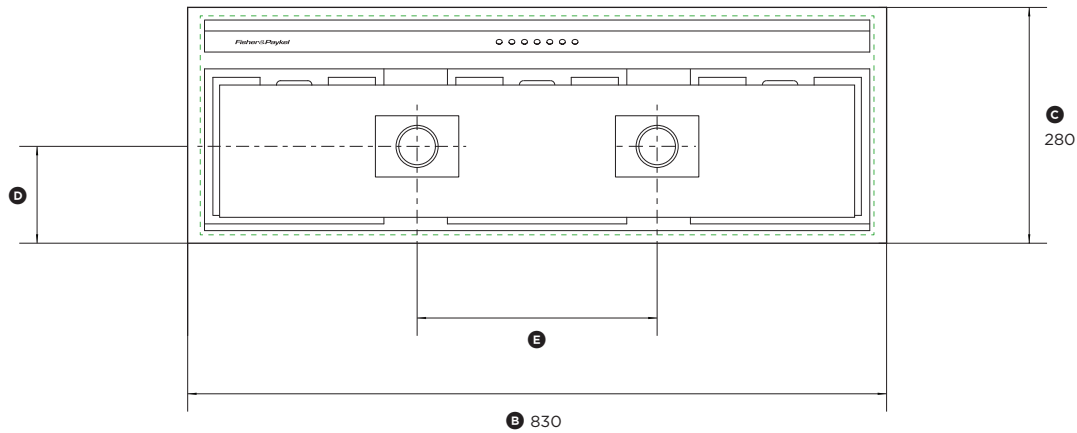
HP90IDCHX2

HP90IHBC3

Product Dimensions	mm
ⓑ Overall width of cooker hood	830
ⓒ Overall depth of cooker hood	280
ⓓ Distance from rear to centre of lights	115
ⓔ Distance between lights	285

Cutout Dimensions	mm
Overall width of cutout*	800
Overall depth of cutout*	260

* Note cutout position is centred to the cooker hood width and depth.



BOTTOM VIEW

INDICATES CUTOUT 

DATE: 15.06.2015

IMPORTANT NOTE: Throughout this guide, dimensions may vary by $\pm 2\text{mm}$ ($3/32''$). Please read the installation manual for detailed information on installing the product. www.fisherpaykel.com

