

N 70, canopy cooker hood, 70 cm, Black
D75NAC1S0B



Canopy hood: Your canopy hood fits discreetly into your cabinet or brick chimney for more spacious versatility in the home

- ✓ Intensive Setting – A peak performance beats steam during intense cooking with automatic revert.
- ✓ Hidden Design: Seamlessly integrate your hood in a flush fitted cupboard design.
- ✓ LED Lighting – Clear illumination while you cook.
- ✓ Push Button Control: Effortless hood operation with real push buttons.
- ✓ Clean Air Plus Odour Filter: Asorbs kitchen aromas and allergy causing pollen.

Features

Technical Data

Typology : Built-in/Built-under
 Length electrical supply cord : 150.0 cm
 Min. required niche size for installation (HxWxD) : 345mm x 676.0mm x 264mm mm
 Net weight : 9.0 kg
 Type of control : Electronic
 Number of speed settings : 3-stages + intensive setting
 Maximum output air extraction : 595 m³/h
 Boost position output recirculating : 705 m³/h
 Maximum output recirculating air : 580 m³/h
 Boost position air extraction : 730 m³/h
 Number of lights : 2
 Noise level : 63 dB(A) re 1pW
 Diameter of air outlet : 120 / 150 mm
 Grease filter material : Washable aluminium
 Odour filter : No
 Operating Mode : Convertible
 Optional accessories : Z5135X1, Z5135X3, Z51ITD1X1, Z51ITP0X0, Z51IXB1X6, Z51IXC1X6
 Type of lamps used : LED
 Total power of the lamps : 2 W
 Grease filter type : Kasette
 Connection Rating : 252 W
 Fuse protection : 3 A
 Voltage : 220-240 V
 Frequency : 60; 50 Hz
 Plug type : GB plug
 Installation typology : Built-in
 Body material : Stainless steel
 Plug type : GB plug
 Dimensions of the product, with chimney (if exists) (in) : x x
 Dimensions of the packed product : 14.56 x 18.30 x 23.62
 Net weight : 20.000 lbs
 Gross weight : 26.000 lbs
 Motor location : Integrated motor in hood body
 No-return airflow flap : Yes
 Length electrical supply cord : 150.0 cm
 Dimensions of the product, with chimney (if exists) : 345 x 700.0 x 282.0 mm
 Dimensions of the packed product (HxWxD) : 370 x 465 x 600 mm
 Net weight : 9.0 kg
 Gross weight : 12.0 kg

Optional accessories

Z5135X1	Standard odor filter (replacement)
Z5135X3	Standard recirculation kit
Z51ITD1X1	Long Life recirculation kit external
Z51ITP0X0	Long Life odor filter (replacement)
Z51IXB1X6	Clean Air Plus odor filter (replacement)
Z51IXC1X6	Clean Air Plus recirc. kit external



Features

Design:

- Canopy black
- For installation in a kitchen cabinet
- Flush-fitted installation for a seamless integration in wall cupboards.
- Suitable for ducted or re-circulated extraction
- For recirculated extraction various recirculation kits are available as optional accessories.

Core Features:

- 2 x LED spot 1W
- Colour Temperature: 4000 K
- Light Intensity: 400 lux
- Capacitor motor
- 2 metal grease filter(s).

Comfort Features:

- Push button controls with Electronic display
- 3 speeds plus intensive setting
- Automatic reset from intensive to normal setting after 6 min

Cleaning Comfort:

- Metal grease filter dishwasher-safe
- Easy to clean smooth surfaces and materials.

Performance Exhaust:

- According to EN 61591 and EN/ IEC 60704-2-13 your appliance can achieve the following values in exhaust mode:
Speed 1: extraction rate 270 m³/h; noise level 45 dB(A) re1pW
Speed 2: extraction rate 400 m³/h; noise level 53 dB(A) re1pW
Speed 3: extraction rate 595 m³/h; noise level 63 dB(A) re1pW
Intensive Speed 1: extraction rate 730 m³/h; noise level 68 dB (A) re1pW
- Energy Efficiency Class: A (at a range of energy efficiency classes from A+++ to D)
- Average Energy Consumption: 55.5 kWh/year
- Blower Efficiency Class: A
- Lighting Efficiency Class: A
- Grease Filtering Efficiency Class: D

Performance Recirculation:

- According to EN 61591 and EN/ IEC 60704-2-13 your appliance can achieve the following values in recirculation mode with standard recirculation kit (available as optional accessory):
Speed 1: extraction rate 250 m³/h; noise level 65 dB(A) re1pW
Speed 2: extraction rate 350 m³/h; noise level 71 dB(A) re1pW
Speed 3: extraction rate 400 m³/h; noise level 74 dB(A) re1pW
Intensive Speed 1: extraction rate 430 m³/h; noise level 75 dB (A) re1pW
- According to EN 61591 and EN/ IEC 60704-2-13 your appliance can achieve the following values in recirculation mode with Clean

Air Plus recirculation kit, for chimless installation (available as optional accessory):

- Speed 1: extraction rate 260 m³/h; noise level 53 dB(A) re1pW
- Speed 2: extraction rate 385 m³/h; noise level 63 dB(A) re1pW
- Speed 3: extraction rate 580 m³/h; noise level 70 dB(A) re1pW
- Intensive Speed 1: extraction rate 705 m³/h; noise level 73 dB (A) re1pW

Technical Information and Sustainability:

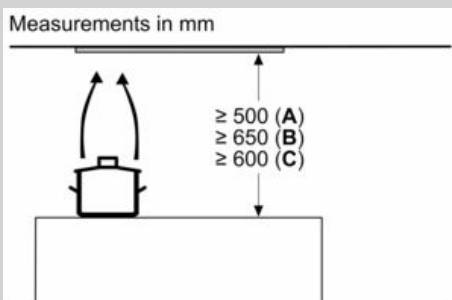
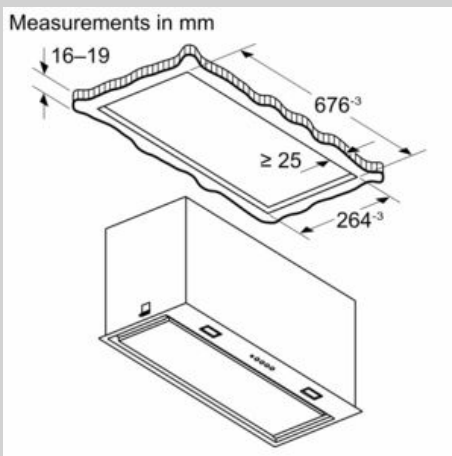
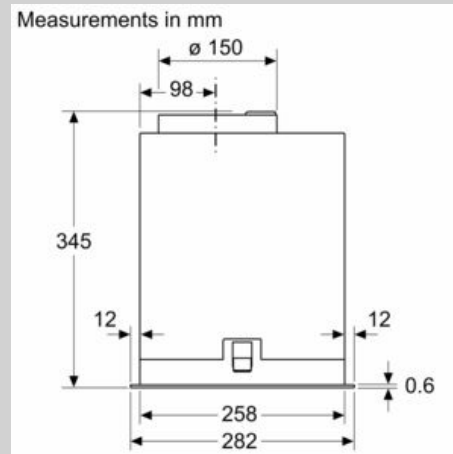
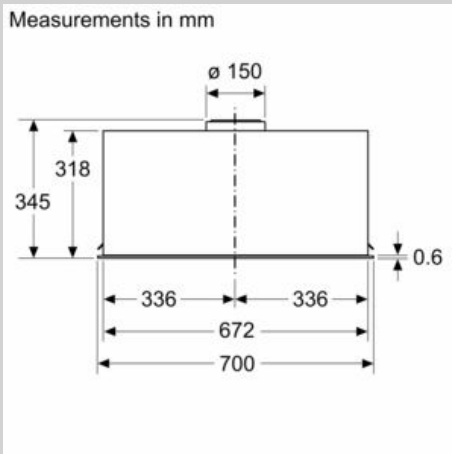
- Consumption data:
- Power rating: 252 W
- Voltage: 220 - 240 V
- Sustainability:
- Environmentally friendly packaging
- Available odour filter as regenerative Long Life filter with 10 years lifetime

Planning and Installation Information:

- Dimensions (HxWxD): 345 x 700 x 282 mm
- Dimensions recirculating installation (HxWxD): 345 mm -345 mm x 700 mm x 282 mm
- Built-in dimensions (HxWxD): 345 x 676 x 264 mm
- Please reference the built-in dimensions provided in the installation drawing
- Electrical cable length 1.5 m
- Diameter pipe Ø 150 mm (Ø 120 mm enclosed)
- with one-way flap

N 70, canopy cooker hood, 70 cm, Black
D75NAC1S0B

Dimensioned drawings



- A: Electric
- B: Gas - from upper edge of pan support
- C: Electric - for Australia and New Zealand