

N 70, Telescopic cooker hood, 60 cm, Stainless steel  
D46ML54N1B



COOKING PASSION SINCE 1877



Telescopic hood: designed to provide powerful extraction without impacting on your kitchen space or design. These hoods pull out from underneath a cabinet when required for a streamlined kitchen.

- ✓ EfficientDrive: save energy and enjoy a quieter kitchen thanks to efficient brushless motor technology
- ✓ Intensive speed setting: increases the extraction rate when the steam gets intense
- ✓ Dimmer Function – easily dim the light according to your mood with the touch of a button
- ✓ Interval Ventilation – automatically ventilates every hour for crisp, clean air
- ✓ Automatic After-running – ventilation continues for several minutes after you turn it off

A



#### Features

##### Technical Data

Typology : Pull-out  
Approval certificates : CE, VDE  
Length of electrical supply cord (cm) : 175  
Required niche size for installation (HxWxD) : 385mm x 524.0mm x 290mm  
Minimum distance above an electric hob : 430  
Minimum distance above a gas hob : 650  
Net weight (kg) : 11.559  
Type of control : Electronic  
Number of speed settings : 3-stage + 2 intensive  
Maximum output air extraction (m<sup>3</sup>/h) : 392  
Boost position output recirculating (m<sup>3</sup>/h) : 475.0  
Maximum output recirculating air (m<sup>3</sup>/h) : 298  
Boost position air extraction (m<sup>3</sup>/h) : 717  
Number of lights (Stck) : 2  
Noise level (dB(A) re 1 pW) : 53  
Diameter of air outlet (mm) : 120 / 150  
Grease filter material : Washable stainless steel  
EAN code : 4242004251132  
Connection rating (W) : 144  
Current (A) : 10  
Voltage (V) : 220-240  
Frequency (Hz) : 50; 60  
Plug type : GB plug  
Installation type : Built-in

#### Optional accessories

Z51ITD1X1  
Z51ITPOX0  
Z51IXB1X6  
Z51IXC1X6  
Z54TC02X0  
Z54TL60X0 Lowering frame  
Z54TS02X0



4 242004 251132

N 70, Telescopic cooker hood, 60 cm, Stainless steel  
D46ML54N1B



COOKING PASSION SINCE 1877

## Features

### Features

- Soft touch control with 7 segment LED display
- 3 power levels and 2 intensive settings
- SoftLight with dimmer function
- 2 x 1,5W LED
- Efficient BLDC technology
- Noise reduction function
- Interval operation
- Automatic intensive revert (6mins)
- Automatic after running (Automatic after running (10 minutes))
- 2 metal grease filter cassettes
- Saturation indicator for grease filter

### Design

- 60 cm wide
- Stainless steel
- Handle strip specification: stainless steel with logo
- Steel filter cover

### Performance

- Suitable for ducted extraction and recirculation
- For recirculated extraction recirculating kit or CleanAir recirculating kit (accessory) needed
- Energy Efficiency Class: A (at a range of energy efficiency classes from A+++ to D)
- Extraction rate according to EN 61591  $\varnothing$  15 cm:  
max. Normal use 392 m<sup>3</sup>/h  
Intensive 717 m<sup>3</sup>/h
- Noise level according to EN 60704-3 and EN 60704-2-13 at max. normal use exhaust air: 53 dB(A) re 1 pW
- Noise level according to EN 60704-3 and EN 60704-2-13 exhaust air:  
Max. normal use: 53 dB(A) re 1 pW  
Intensive: 68 dB(A) re 1 pW
- With the Clean Air Plus recirculation kit (available as optional accessory) your appliances reaches:  
Extraction rate in recirculation mode:  
Max. normal use: 358 m<sup>3</sup>/h  
Intensive: 628 m<sup>3</sup>/h  
Noise level in recirculation mode:  
Max. normal use: 60 dB(A) re 1 pW  
Intensive: 71 dB(A) re 1 pW
- Colour Temperature: 3500 K
- Light Intensity: 294 lux
- Average Energy Consumption: 37.9 kWh/year\*
- Power rating: 144 W
- Blower Efficiency Class: B\*
- Lighting Efficiency Class: A\*
- Grease Filtering Efficiency Class: B\*

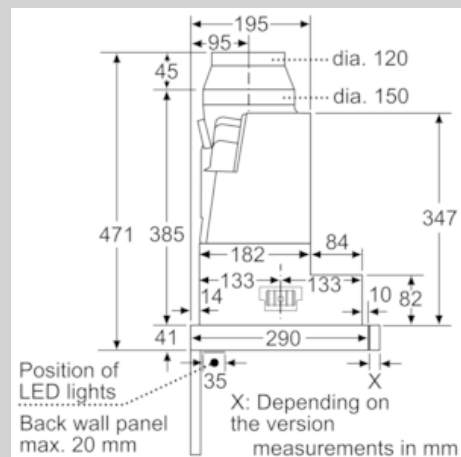
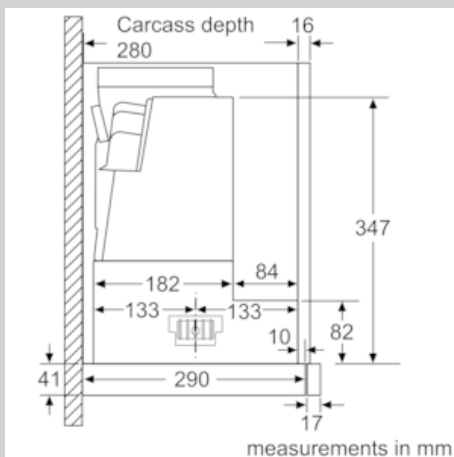
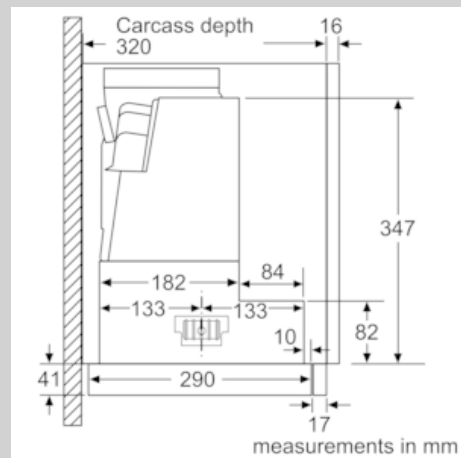
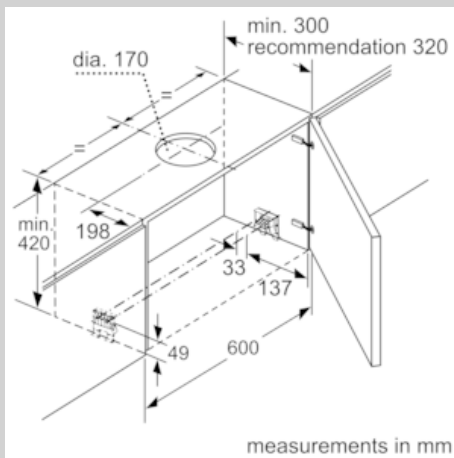
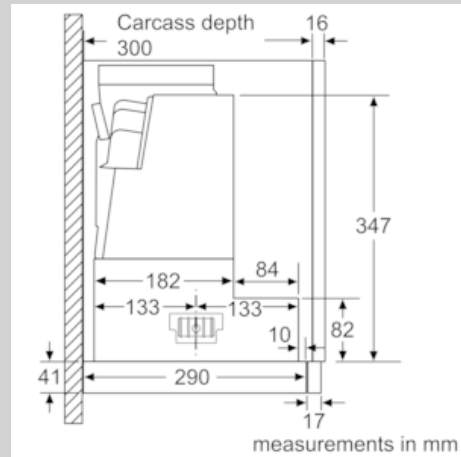
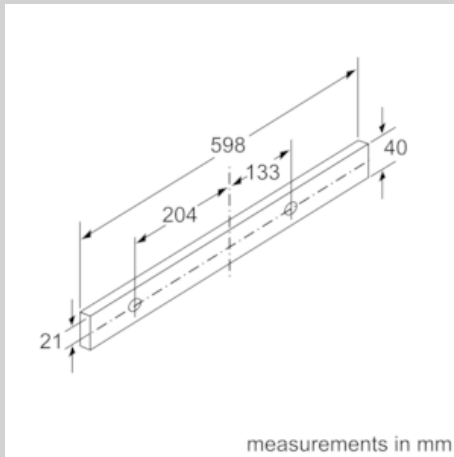
### Planning and installation information

- Telescopic comfort installation
- For installation into a 600mm wide cupboard
- Dimensions (HxWxD): 426 x 598 x 290 mm
- Built-in dimensions (HxWxD): 385 x 524 x 290 mm
- Diameter pipe  $\varnothing$  150 mm ( $\varnothing$  120 mm enclosed)
- Electrical cable length 1.75 m

\* In accordance with the EU-Regulation No 65/2014

N 70, Telescopic cooker hood, 60 cm, Stainless steel  
D46ML54N1B

## Dimensioned drawings



N 70, Telescopic cooker hood, 60 cm, Stainless steel  
D46ML54N1B

Dimensioned drawings

