

Series 8, Built-in compact oven with steam function, 60 x 45 cm, Black CSG7584B1



Included accessories

1 x grid, 1 x universal pan, 1 x steam container, punched, size XL, 1 x Steam container, punched, size M, 1 x Steam container, unpunched, size M

Optional accessories

HEZ530000 : Half tray
 HEZ531010 : Baking tray, non-stick ceramic coated
 HEZ629070 : Air Fry & Grill tray, anthracite
 HEZ631070 : Baking tray, anthracite enamelled
 HEZ636000 : Glass pan
 HEZ638D00 : Full ext rails, level independent, steam
 HEZ660060 : Strip
 HEZ915003 : Glass roasting dish, 5,4 L

The compact steam oven with Digital Control Ring and TFT-touchdisplay, assist function for meals PerfectBake Plus, PerfectRoast Plus, Home Connect for control via the App.

- **Digital Control Ring:** the simple and innovative way to select oven settings.
- **TFT Touch Display Pro:** perfect control thanks to an innovative Digital Control Ring and full-surface TFT touchscreen.
- **PerfectSteam:** vegetables, fish and meat steamed to perfection.
- **Steam Function Plus:** for gentle, healthy food preparation at up to 120°C.
- **4D hotair:** even heat distribution for perfect results.

Technical Data

Color / Material Front : Black
 Construction type : Built-in
 Door opening : Drop down
 Min. required niche size for installation (HxWxD) : 450-455 x 560-568 x 550 mm
 Dimensions : 455 x 594 x 548 mm
 Dimensions of the packed product (HxWxD) : 520 x 650 x 690 mm
 Control Panel Material : Glass
 Door Material : Glass
 Net weight : 36.9 kg
 Length of electrical supply cord : 150.0 cm
 EAN code : 4242005326174
 Fuse protection : 16 A
 Voltage : 220-240 V
 Frequency : 50; 60 Hz
 Plug type : GARDY plug w/ earthing
 Number of cavities (2010/30/EC) : 1
 Usable volume (of cavity) - NEW (2010/30/EC) : 47 l
 Energy efficiency rating : A+
 Energy consumption per cycle conventional (2010/30/EC) : 0.73 kWh/cycle
 Energy consumption per cycle forced air convection (2010/30/EC) : 0.61 kWh/cycle
 Energy efficiency index (2010/30/EC) : 81.3 %
 Included accessories : 1 x grid, 1 x universal pan, 1 x steam container, punched, size XL, 1 x Steam container, punched, size M, 1 x Steam container, unpunched, size M



Series 8, Built-in compact oven with steam function, 60 x 45 cm, Black CSG7584B1

The compact steam oven with Digital Control Ring and TFT-touchdisplay, assist function for meals PerfectBake Plus, PerfectRoast Plus, Home Connect for control via the App.

Features

- Compact steam oven with 23 heating methods: 4D Hotair, conventional top and bottom heat, Hotair grilling, full width variable grill, half width grill, pizza function, bottom heat, intensive heat, low temperature cooking, plate warming, dehydrate, keep warm, Hotair gentle, Conventional heat gentle, Steam cooking, reheating with steam, Dough proving, defrost, Hot air grilling, warming, 4D Hot air, Top/bottom heat
- Temperature range 30 °C - 250 °C
- 120 °C
- Cavity volume: 47 litre capacity

Level independent telescopic rails

- 3 shelf positions
- Available as an additional accessory

Design

- Touch controls
- Digital Control Ring
- Cavity inner surface: enamel anthracite

Cleaning

- EcoClean Direct: coating of ceiling, back panel, side liners
- hydrolyse program, EcoClean Direct programme
- Full glass inner door

Programmes/functions

- Oven Assistant with Voice Control
- BE63
- Electronic clock timer
- Digital temperature display with proposal
Actual temperature display Heating-up indicator Temperature probe
- Drop down door, SoftClose, SoftOpen
- BoschAssist
- yes
- yes
- Fast pre-heating function
- steam boost - add for 3min intensive steam with a touch of a button.
- There are different steam intensities selectable: steam level high, steam level middle, steam level low
- LED light, Light on/off when oven door opened/closed
- Water tank empty indicator
- Location of water tank: Outside cavity
- Integral cooling fan
- Home Connect ready

Accessories

- 1 x Steam container, punched, size M, 1 x steam container, punched, size XL, 1 x Steam container, unpunched, size M, 1 x grid, 1 x universal pan

Features

- Maximum window temperature 40° C
- Triple glazed door glazed CoolTouch door
- Control panel lock
Automatic safety switch off Residual heat indicator Start button Door contact switch

Technical information

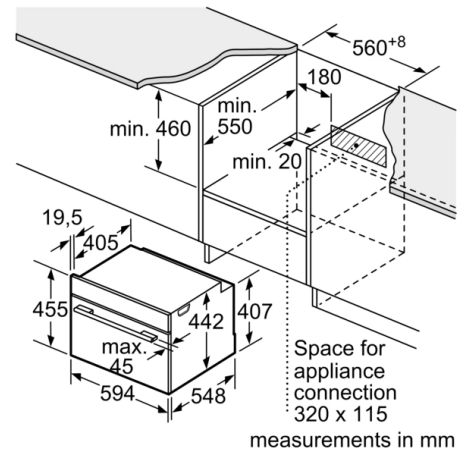
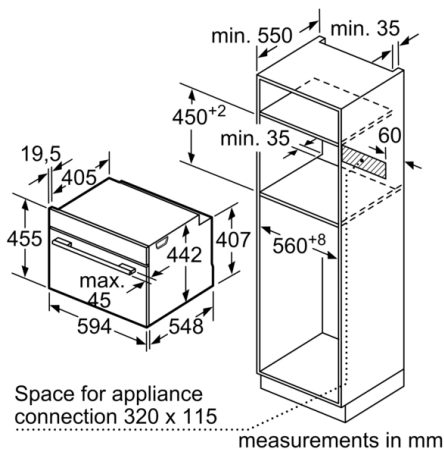
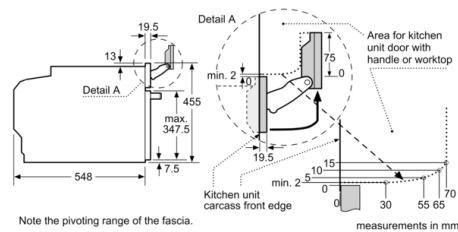
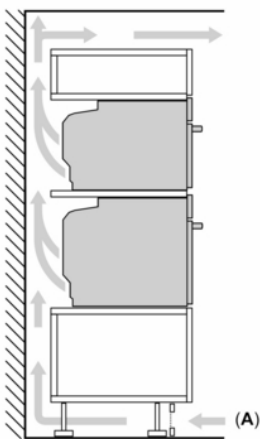
- Power cord length 150 cm Cable length
- Nominal voltage: 220 - 240 V
- Total connected load electric: 3.3 KW
- Energy efficiency rating (acc. EU Nr. 65/2014): A+
Energy consumption per cycle in conventional mode:0.73 kWh
Energy consumption per cycle in fan-forced convection mode:0.61 kWh
Number of cavities: Main cavity Heat source: electrical Cavity volume:47 litre capacity

Performance/technical information

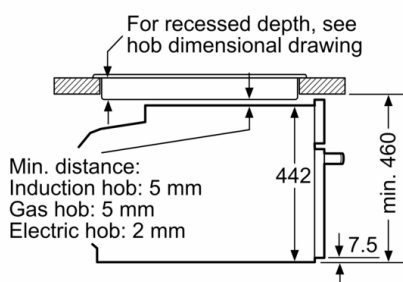
- Appliance dimension (hxwxd): 455 mm x 594 mm x 548 mm
- Niche dimension (hxwxd): 450 mm - 455 mm x 560 mm - 568 mm x 550 mm
- Please refer to the dimensions provided in the installation manual

Series 8, Built-in compact oven with steam function, 60 x 45 cm, Black CSG7584B1

**Installing two appliances on top of each other
Air exchange**



Installation with a hob.



If the compact appliance will be installed underneath a hob, the following worktop thicknesses (including substructure if necessary) must be taken into account.

Hob type	min. worktop thickness	
	fitted	flush
Induction hob	42 mm	43 mm
Full surface Induction hob	52 mm	53 mm
Gas hob	32 mm	43 mm
Electric hob	32 mm	35 mm

measurements in mm