

N 50, Built-in oven with added steam function, Stainless steel  
B3AVH4HH0B



COOKING PASSION SINCE 1877



A



Built-in oven with AddedSteam and Hide® - a gentle touch is enough to add steam or to slide the fully retracting oven door out of your way.

- ✓ Hide® – The fully retracting oven door.
- ✓ CircoTherm® – Smart hot-air solution that lets you bake on up to three levels at once.
- ✓ LCD-Display – simple, straightforward with large characters for clear reading
- ✓ Home Connect – Unleash your creativity via app.
- ✓ Automatic programmes - Your kitchen helper with just the right default settings.

#### Features

##### Technical Data

Color / Material Front : Stainless steel  
 Construction type : Built-in  
 Integrated Cleaning system : Catalytic partial, Hydrolytic  
 Min. required niche size for installation (HxWxD) : 585-595 x 560-568 x 550 mm  
 Dimensions : 595 x 594 x 548 mm  
 Dimensions of the packed product (HxWxD) : 670 x 690 x 660 mm  
 Control Panel Material : Glass  
 Door Material : Glass  
 Net weight : 36.7 kg  
 Usable volume of cavity : 71 l  
 Cooking method : Bread Baking Setting, Conventional heat, Full width grill, Hot Air, Hotair gentle, Hot air grilling, Pizza setting  
 First cavity material : Other  
 Oven control : electronic  
 Number of interior lights : 1  
 EAN code : 4242004264279  
 Number of cavities (2010/30/EC) : 1  
 Energy efficiency rating : A  
 Energy consumption per cycle conventional (2010/30/EC) : 1.04 kWh/cycle  
 Energy consumption per cycle forced air convection (2010/30/EC) : 0.81 kWh/cycle  
 Energy efficiency index (2010/30/EC) : 95.3 %  
 Connection rating : 3600 W  
 Fuse protection : true A  
 Voltage : 220-240 V  
 Frequency : 50; 60 Hz  
 Plug type : no plug (electrical connection by electrician)  
 Included accessories : 2 x combination grid, 1 x universal pan

#### Optional accessories

Z11AB15A0 Baking tray, non-stick ceramic coated  
 Z11CB10E0 Baking tray, grey enameled  
 Z11CR10X0 Baking and roasting grid (standard)  
 Z11TF36X0 3 level telescopic rails, full ext  
 Z11TI15X0 Cliprails



4 242004 264279

*N 50, Built-in oven with added steam function,  
Stainless steel  
B3AVH4HHOB*

**Features**
**Features**

- Oven with 8 heating methods: CircoTherm®, Top/bottom heat, Circo-roasting, Full surface grill, CircoTherm® intensive, Bread baking, CircoTherm® gentle, Reheat with steam
- Heating modes in combination with steam function: CircoTherm®, Circo-roasting, Top/bottom heat
- Temperature range 30 °C - 275 °C
- Cavity volume: 71 litre

**Level independent telescopic rails**

- 4 shelf positions
- 1 Clip rail, Stop function

**Design**

- Elongated designed dials, Retractable control dials, Bevelled oval controls
- Cavity inner surface: enamel grey

**Cleaning**

- EcoClean Direct : back panel
- EasyClean
- Full glass inner door

**Programmes/functions**

- LCD-Display Control (white)
- Electronic clock timer
- Temperature proposal  
Actual temperature display Heating up indicator automatic programmes: Automatic start
- Number of automatic programmes: 15 PC
- Additional functions:  
De-scaling programme
- Slide&Hide® with fixed handle
- Bar handle
- Automatic programmes
- Rapid heat
- Interior halogen light, On/off button
- Water tank capacity with a volume of 220ml
- Location of water tank: Outside cavity
- Cooling fan
- Stainless-steel fan
- Info button
- HomeConnect ready on WLAN

**Accessories**

- 2 x combination grid, 1 x universal pan

**Features**

- Heat reflective glass
- Control panel lock  
Automatic safety switch off Residual heat indicator Door contact switch

**Technical information**

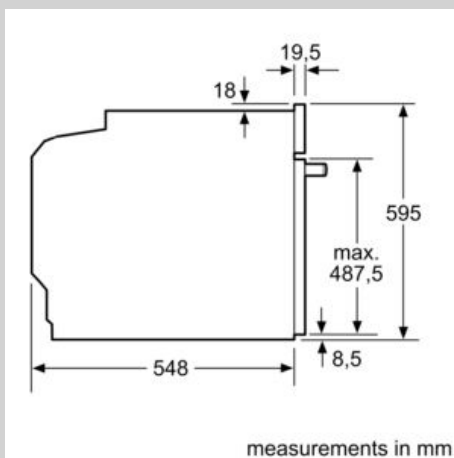
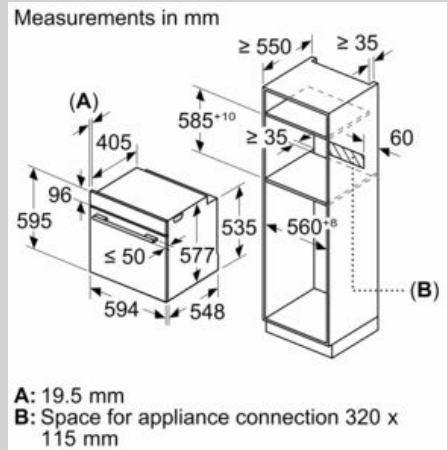
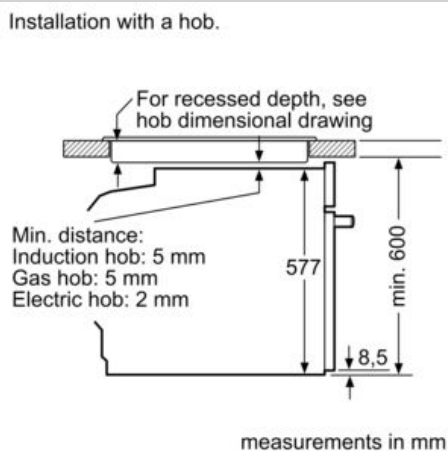
- 120 cm Cable length
- Nominal voltage: 220 - 240 V
- Total connected load electric: 3.6 KW
- Energy efficiency rating (acc. EU Nr. 65/2014): A  
Energy consumption per cycle in conventional mode:1.04 kWh  
Energy consumption per cycle in fan-forced convection mode:0.81 kWh  
Number of cavities: Main cavity Heat source: electrical Cavity volume:71 litre

**Performance/technical information**

- Appliance dimension (hxwxh): 595 mm x 594 mm x 548 mm
- Niche dimension (hxwxh): 585 mm - 595 mm x 560 mm - 568 mm x 550 mm
- Please refer to the dimensions provided in the installation manual
- We recommend you to choose complementary products within N50, in order to assure an optimal design combination of your Built-In appliances.

N 50, Built-in oven with added steam function,  
Stainless steel  
B3AVH4HOB

## Dimensioned drawings



If the appliance will be installed underneath a hob, the following worktop thicknesses (including substructure if necessary) must be taken into account.

Hob type	min. worktop thickness	
	fitted	flush
Induction hob	37 mm	38 mm
Full surface Induction hob	47 mm	48 mm
Gas hob	30 mm	38 mm
Electric hob	27 mm	30 mm

