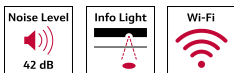
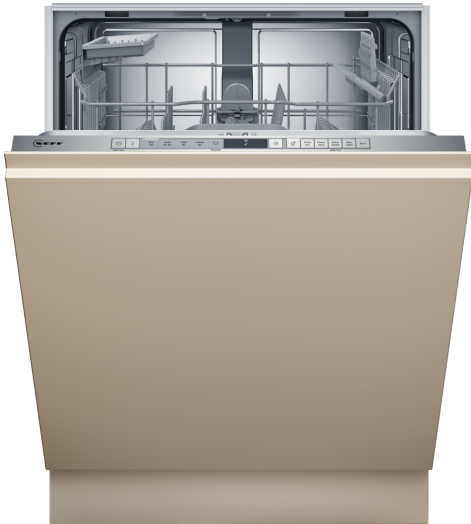


N 30, FULLY-INTEGRATED DISHWASHER, 60 CM  
S153HKX03G



The dishwasher that's practical to load and indicates when it's running.

- ✓ Flex I Baskets – Foldable elements in the top and bottom baskets for practical loading
- ✓ Noise Level 42dB – Pleasantly quiet at 42dB
- ✓ Info Light – A light projected onto the floor shows you that the dishwasher is in operation.
- ✓ Chef 70°C – The pro programme that vanishes stubborn residues.
- ✓ Home Connect – Add your dishwasher to your home network and enjoy the infinite possibilities of connected services

### Features

#### Technical Data

Energy Efficiency Class: ..... D  
 Energy Consumption for 100 cycles Eco Programme: ..... 84 kWh  
 Maximum number of place settings: ..... 13  
 The water consumption of the eco programme in liters per cycle: 9.0 l  
 Programme duration: ..... 4:30 h  
 Airborne acoustical noise emissions : ..... 42 dB(A) re 1 pW  
 Airborne acoustical noise emission class: ..... B  
 Built-in / Free-standing: ..... Built-in  
 Height of removable worktop: ..... 0 mm  
 Dimensions of the product (HxWxD): ..... 815 x 598 x 550 mm  
 Min. required niche size for installation (HxWxD): 815-875 x 600 x 550 mm  
 Depth with open door 90 degree: ..... 1150 mm  
 Adjustable feet: ..... Yes - all from front  
 Maximum adjustability feet: ..... 60 mm  
 Adjustable plinth: ..... Both horizontal and vertical  
 Net weight: ..... 31.6 kg  
 Gross weight: ..... 33.7 kg  
 Connection Rating: ..... 2400 W  
 Fuse protection: ..... 10 A  
 Voltage: ..... 220-240 V  
 Frequency: ..... 50; 60 Hz  
 Length electrical supply cord: ..... 175.0 cm  
 Plug type: ..... GB plug  
 Length inlet hose: ..... 165 cm  
 Length outlet hose: ..... 190 cm  
 EAN code: ..... 4242004282136  
 Installation typology: ..... Full-integrated

### Optional accessories

Z7710X0	inlet and outlet hose extension
Z780BI02	decorative strips stainless steel 81,5cm
Z7863X1	Rack insert for stemware dishwasher
Z7863X8	Wine glass holder
Z7865X6	Attachment door, brushed steel
Z7870X0	Accessories dishwasher
Z7871X0	Silver polishing cassette
Z7880X0	Accessories dishwashers
Z788BI00	Connection rail for divided furniture



## N 30, FULLY-INTEGRATED DISHWASHER, 60 CM S153HKX03G

### Features

#### Performance

- Energy Efficiency Class<sup>1</sup>: D
- Energy<sup>2</sup> / Water<sup>3</sup>: 84 kWh / 9 litres
- Capacity: 13 place settings
- Programme duration<sup>4</sup>: 4:30 (h:min)
- Noise level: 42 dB(A) re 1 pW
- Noise Efficiency Class: B

<sup>4</sup> Duration of programme Eco 50 °C

#### Programmes / functions

- 5 programmes: Eco 50 °C, Auto 45-65 °C, Chef 70 °C, Classic 60 °C, Favourite
- Default favourite programme: Pre-Rinse
- 4 special options: Remote Start, Extra Dry, Power Zone, Extra Speed
- Add-On functions via Home Connect app: Extra Hygiene, Silence on Demand
- Easy Clean Programme
- AquaSensor®

#### Flexible design elements

- Flex I baskets
- Height adjustable top basket
- Low friction wheels on bottom basket
- Rack Stopper to prevent derailing of bottom basket
- 2 foldable plate racks in bottom basket
- Knife rack in top basket
- Cutlery basket in lower rack
- Upper rack cup shelf

#### Innovations and technology

- Home Connect - Wi Fi enabled, for dishwasher control
- Heat exchanger - Hygienic and efficient drying
- DosageAssist detergent dispenser
- Efficient SilentDrive BLDC motor
- DetergentAware
- Neff Sparkle - glass care system

#### Design features

- Push button top controls
- InfoLight (Red) - Light projection on the floor
- Time delay (3, 6 or 9 hours)
- Acoustic end of cycle indicator
- Aqua Stop: Neff's warranty in case of water damage – throughout the lifetime of the appliance.\*
- Self-cleaning filter system with 3 piece corrugated filter
- steam protection plate
- Stainless steel interior
- Dimensions (HxWxD): 81.5 x 59.8 x 55cm

<sup>1</sup> Scale of Energy Efficiency Classes from A to G

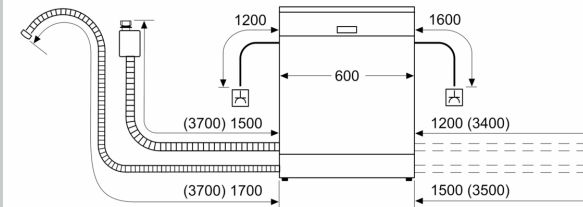
<sup>2</sup> Energy consumption in kWh per 100 cycles (in programme Eco 50 °C)

<sup>3</sup> Water consumption in litres per cycle (in programme Eco 50 °C)

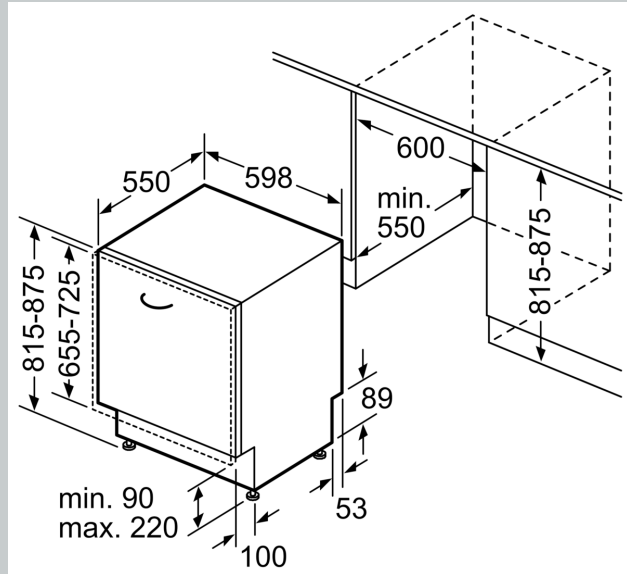
N 30, FULLY-INTEGRATED DISHWASHER, 60 CM  
S153HKX03G

Dimensioned drawings

measurements in mm



□ socket  
( ) values with extension kit



measurements in mm