

Series 2, Built-in fridge-freezer with freezer at bottom, 193.5 x 54.1 cm, sliding hinge KIN96NSE0



Optional accessories

- KSZB6R00 Bottle Rack
- KSZGGM00 Butter box

The extra large built-in fridge freezer with 12% more cooling volume including Multi Box XXL drawer for fruit and vegetables, No Frost and error warning signal for optimal storage.

- **Big capacity:** with just a little more space in your kitchen, you can get lots more space in your fridge.
- **NoFrost:** never defrost again, thanks to perfect protection from ice formation - that saves time and effort.
- **An audible alarm system signals the door is open**
- **LED lights bring a completely new lighting concept to fridges**
- **2 cooling circuits: separately controllable refrigerator and freezer compartments - prevents odour transfer.**

Technical Data

Energy Efficiency Class:	E
Average annual energy consumption in kilowatt hour per year (kWh/a):	231 kWh/annum
Sum of volume of frozen compartments:	75 l
Sum of volume of chill compartments:	215 l
Airborne acoustical noise emissions :	34 dB(A) re 1 pW
Airborne acoustical noise emission class:	B
Installation type:	Built-in
Door panel options:	Not possible
Height:	1935 mm
Width of the appliance:	541 mm
Depth of the product:	548 mm
Min. required niche size for installation (HxWxD): ..	1940 x 560 x 550 mm
Net weight:	54.9 kg
Fuse protection:	10 A
Door hinge:	Right reversible
Voltage:	220-240 V
Frequency:	50 Hz
Length of electrical supply cord:	230.0 cm
Number of compressors:	1
Number of independent cooling systems:	2
Interior ventilator:	No
Reversible Door Hinge:	Yes
Number of Adjustable Shelves in fridge compartment (Stck):	4
Shelves for Bottles:	No
Frost free system:	Freezer
Installation type:	Integrated



Series 2, Built-in fridge-freezer with freezer at bottom, 193.5 x 54.1 cm, sliding hinge KIN96NSE0

- Niche Dimensions: 194 cm H x 56 cm W x 55 cm D
- Length of power cord: 230 cm

Country Specific Options

The extra large built-in fridge freezer with 12% more cooling volume including Multi Box XXL drawer for fruit and vegetables, No Frost and error warning signal for optimal storage.

Design features

- Built-in fridge-freezer
- Right hinged door, door reversible
- Height adjustable front feet
- Bright interior LED fridge light in fridge section
- Separate, electronic temperature control with LED display

Functions

- Automatic defrost fridge
- NO_FROST_NEU_BL, never have to defrost ever again
- Two separate cooling circuits allow independent temperature control and prevents the transference of humidity between the fridge and freezer cavity
- Super Cooling: automatic deactivation
- Optical and accoustical

Food freshness system

- 1 MultiBox - Transparent drawer with a rippled bottom, ideal for storing fruits and vegetables.

Key features - Fridge section

- 5 safety glass shelves in fridge compartment of which 4 are height adjustable
- Door shelves in fridge door: 1 large and 3 small.

Key features - Freezer section

- 3 freezer drawers

Additional features

- 3 x egg tray, 1 x ice cube tray

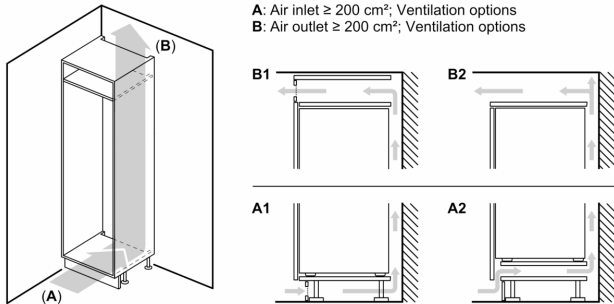
Performance and Consumption

- Climate Class: SN-ST
- Total Volume : 290 l
- Net Fridge Volume : 215 l
- Net Freezer Volume : 75 l
- Annual Energy Consumption: 231 kWh/a
- Noise Level : 34 dB , EU19_Noise emission class_D: B
- Temperature rise time : EU19_Temperature rise time_D: 10 H
- Freezing capacity 24h : 7.5 kg
- 220 - 240 V
- EU19_EEK_D: E
- EU19_Fast freezer facility_D
- Based on the results of the standard 24-hour test. Actual consumption depends on usage/position of the appliance.

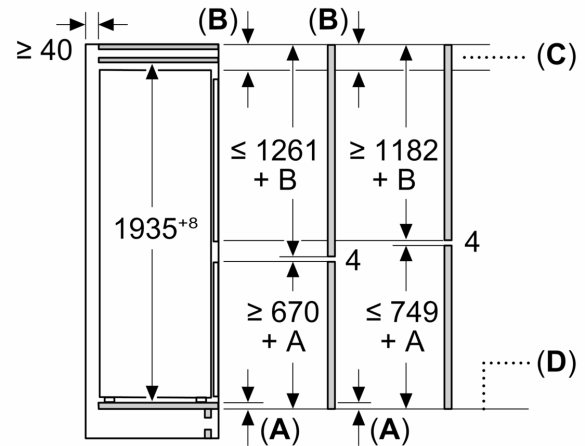
Dimension and installation

- Dimensions: 193.5 cm H x 54.1 cm W x 54.8 cm D

**Series 2, Built-in fridge-freezer with
freezer at bottom, 193.5 x 54.1 cm,
sliding hinge
KIN96NSE0**



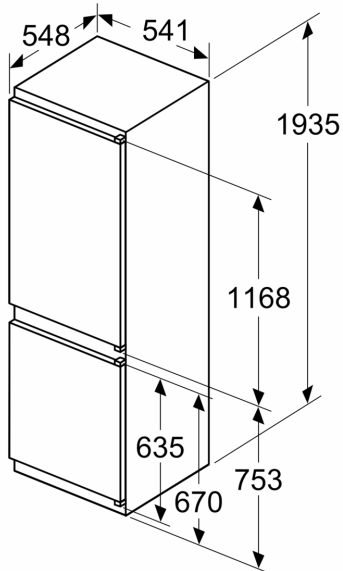
Measurements in mm



C: Front panel overhang

D: Lower edge of front panel

Measurements in mm



Measurements in mm

